

N NARGESA®

POWER HAMMER

PH50

NEW



50 years
manufacturing industrial machinery



AENOR

R&D&I
MANAGEMENT

UNE 166002

HOW IT WORKS VIDEO

Video on how the machine works.

GET A QUOTE

Please complete the following form. We'll contact you in less than 24 hours.

Business days.

SOME OF OUR CUSTOMERS

Our customer's endorsement is our best business card



CERTIFICATES AND ACCREDITATIONS

Some of the certificates that support our processes and benefit our customers



THE NEW GENERATION OF NARGESA PH50 POWER HAMMERS

In collaboration with some of the best blacksmiths in Spain, France and the United States, the Prada Nargesa engineers have designed a power hammer with all sorts of new advances in comparison to the other drop hammers on the market up until now.



Easier to manage



More precise



Safer



Quieter



With no need for any
civil engineering work
for installation

... and in addition to many other features, it's the
best choice available

TECHNICAL FEATURES



Nominal dropping weight:

50 kg / 110 lb

Strokes per minute:

240 golpes

Ram range:

180 mm / 7"

Operating range:

220 mm / 9"

Maximum round working capacity:

70 mm / 2,75"

Maximum square working capacity:

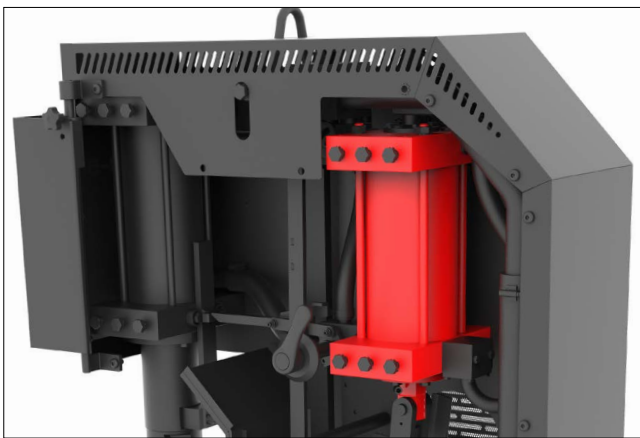
60x60/ 2,36"

- > Engine power: 2.2 kW / 3 HP
- > Electrical voltage: 230/400 V three-phase 50/60 Hz
- > Single-phase 220 V voltage OPTIONAL
- > Intensity: 9/5 A
- > Built-in compressor.
- > Maximum drop precision, controlled via a next-generation valve.
- > Welded and die-cut steel frame.
- > Automatic greasing system.
- > Lapped cylinders designed with low-friction technology.
- > Intake and exhaust mufflers.
- > No need for civil engineering work or special foundations for installation.
- > Automatic inner ventilation.
- > Inner tray to collect greasing oil.
- > Near-zero maintenance.
- > Double mechanical stop protection.
- > Height and orientation adjustable protection on the front.
- > Drive system pedal protection.
- > Electric engine protection.
- > Emergency stop.
- > CE marking.
- > Molds manufactured and tempered in 1.2344 steel / AFNOR: Z40CDV5 / DIN: X40CrMoV5-1 / UNE: F5318 / AISI: SAE H13 / SKD61 / 45Cr5MoSiV1 to withstand major impacts and high temperatures.
- > The power hammer can be moved with a forklift or a lifting hook.
- > Great variety of tooling and exchangeable molds.
- > Custom-manufactured molds.

** All or products are manufactured in our facilities in Spain. The hydraulic and electrical components are all standard from the best leading European trademarks, with technical assistance all over the world: Rexroth, Bosch, Roquet, Schneider Electric, LG, Telemecanique, Pizzato...*

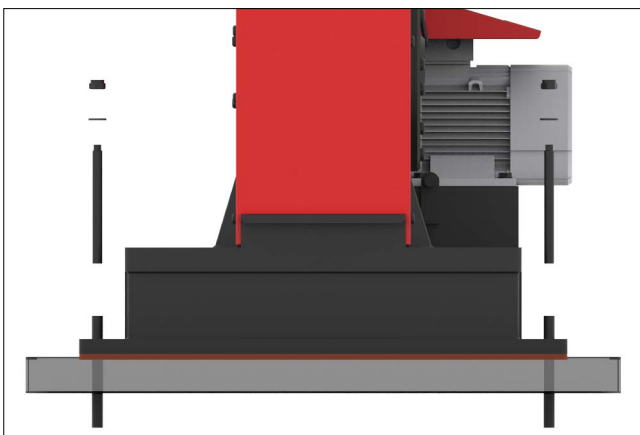


BEFORE PURCHASING A POWER HAMMER, A FEW BASIC DETAILS ARE NEEDED BEFORE MAKING A FINAL DECISION



Built-in compressor

The PH50 power hammer has a built-in compressor. This means, unlike with other brands, no external compressor is needed. A 50 kg or 110 lb power hammer without a built-in compressor would need a 5 HP external compressor. This leads to extra costs on electricity as well as the purchase price, since they are both necessary.



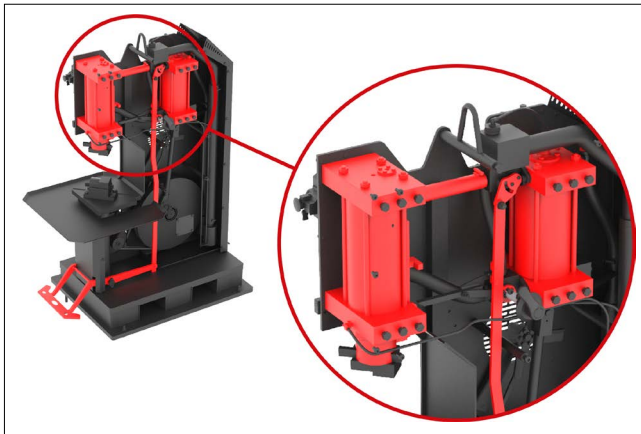
No need for specific civil engineering for installation

A special foundation that insulates the machines from the ground is needed to install 90% of all power hammers currently on the market. This requires formwork, which can cost approximately €1200, to guarantee proper operation and prevent vibrations from disturbing neighbors. On the other hand, only 4 holes are needed in a concrete floor to insert the 4 chemical bolts that come with the machine when installing the PH50 power hammer.



Welded steel frame

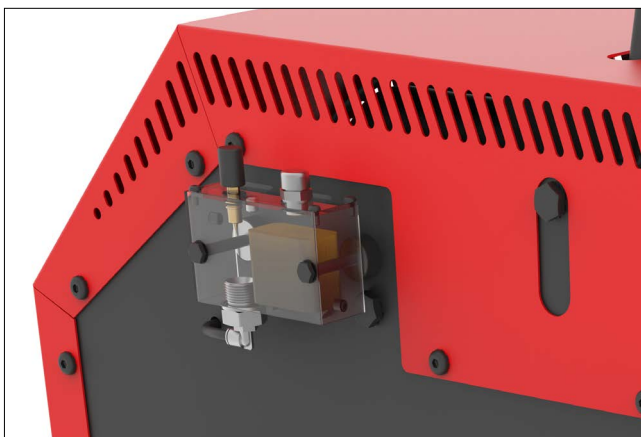
The machine frame is not casted; it's made of welded and die-cut steel. This reduces the possibility of cracking, as occurs with cast power hammers. Plus, the impact is much more efficient since it's a single piece. Likewise, the insulation at the base of the machine minimizes the transfer of vibrations to the ground.



Maximum controlled drop precision

The all-new valve system enables absolute control. One of the main concerns the group of blacksmiths advising us on the design had was how to control the drop. After conducting tests for 3 years with different valves, together we achieved maximum precision with the ability to even close a box of matches or position an egg and collide with it without breaking it.

The result is UNBEATABLE EASE OF USE. An untrained person could even use it without any problems. After just a few hours of practice, it can be perfectly dominated unlike occurs with other power hammers, especially mechanical ones which require years of experience for their use and can be dangerous without full understanding of the machine.



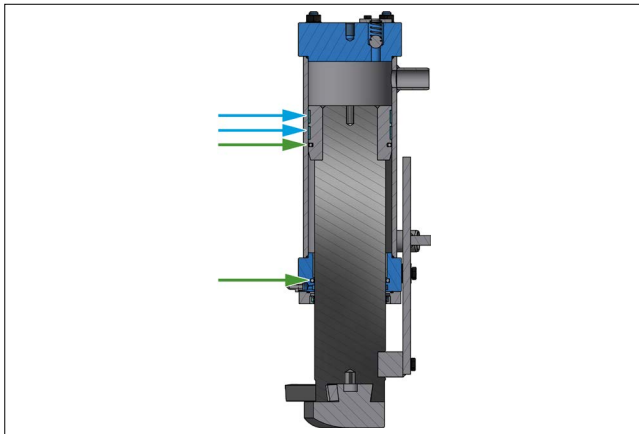
Automatic lubrication system

Another highly important aspect of the machine is the lubrication system. The lubrication system on the PH50 power hammer features a completely transparent tank next to the power switch to monitor the level of oil in the container without having to use uncomfortable inspection peepholes.



Intake and exhaust mufflers

The noise of the impact of the power hammer when in operation is quite difficult to minimize and is usually linked to the location inside the building. We've minimized the noise the machine makes when at rest. Two mufflers, on the intake and exhaust, reduce the noise. This is of vital importance when there are neighbors nearby or for power hammers intended for use in a residential garage as a hobby.

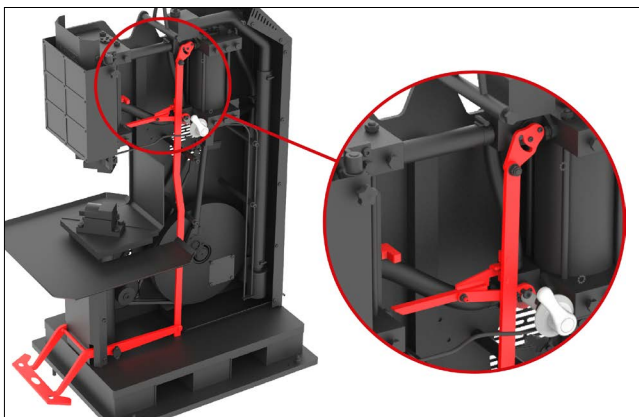


Lapped cylinders designed with low-friction technology

The friction between the sleeve and piston is normally mechanical and through steel rings. This causes a risk of seizing up over time. The cylinders on the PH50 power hammer never come into physical contact with the piston, thus enhancing the efficiency and eliminating any mechanical wear.

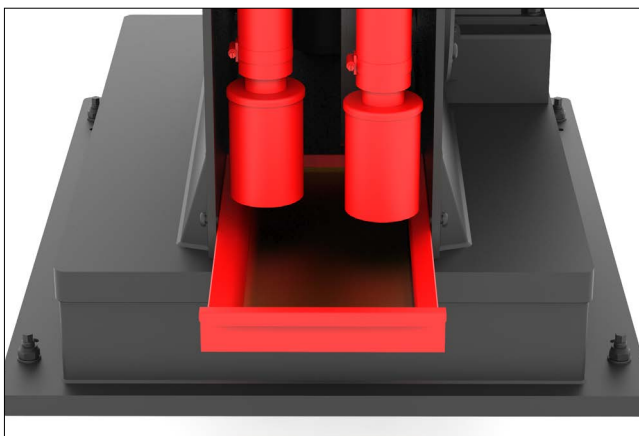
→ *Low Friction Guiding Element*

→ *Sealing Element with Low Friction*



Double mechanical stop protection

The mechanical stop safety mechanism makes it impossible for the hammer ram to accidentally activate. The piston on the front and pedal become completely mechanically blocked in an ideal position to easily and safely change the molds. Unlike most power hammers, there's no need with the PH50 to insert a wooden wedge between the anvil and the ram to switch tools.



Collecting and filtering oil from the air

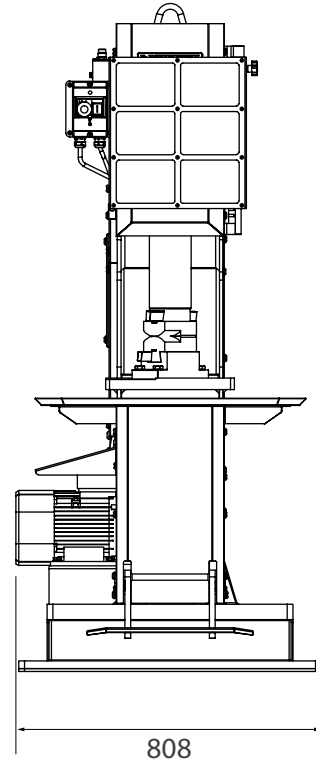
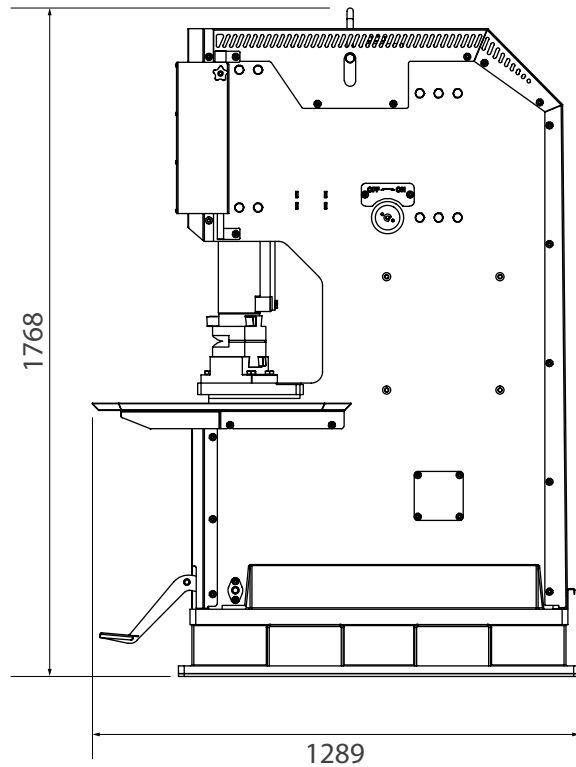
All pneumatic drop hammers discharge little drops of diluted oil into the air and this contaminating mix then enters the environment. The Nargesa PH50 drop hammer has a tank that collects this mix and separates the two components. On the one hand, it discharges the air to the outside and, on the other, it recovers the excess oil in a container inside that can be accessed through the back. This prevents the pollution of the work area. NOTE: This grease must be recycled pursuant to the regulations in effect in each country. Looking after the planet is everyone's responsibility.



Safety and CE marking

Throughout the process of developing each of our machines, NARGESA puts special emphasis on safety - our safety and our operators' safety. Therefore, all of our machines are compliant with EC industrial machinery manufacturing standards.

OUTSIDE DIMENSIONS



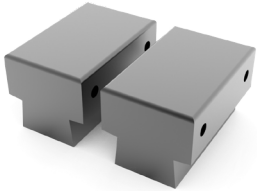
PACKAGING CHARACTERISTICS

Tariff Code: 84621990

- The PH50 machine is sent completely assembled.
- An wooden pallet and 3-layer cardboard box suitable for seafreight.
- Optional: NIMF15 wooden container.

STANDARD ACCESSORIES SUPPLIED WITH THE MACHINE

Standard flat mold for Power Hammer PH50



REF: 140-14-04-00001

> All our Power-hammers are equipped with an upper standard flat tooling and lower one.

> This tooling is the most versatile one and it's bond to the operatives skilfulness.

> Molds manufactured and tempered in 1.2344 steel / AFNOR: Z40CDV5 / DIN: X40CrMoV5-1 / UNE: F5318 / AISI: SAE H13 / SKD61 / 45Cr5MoSiV1 to withstand major impacts and high temperatures.

Standard tool

N° of pieces: 2

Dimensions: 120x78mm

Support braces/ adaptors for Power Hammer PH50



REF: 140-14-04-00002

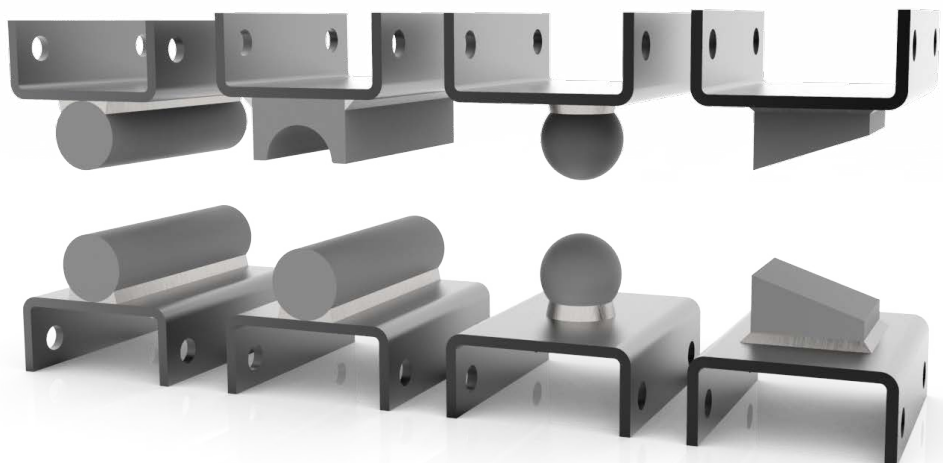
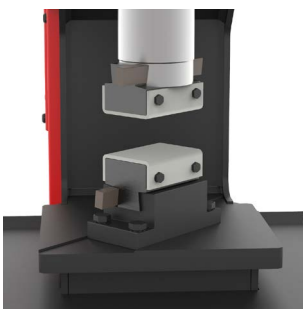
> We supply two sets of Support braces along with the power hammer PH50. These adaptors enable us to weld or fasten with bolts to them several kinds of elements, such as round and square solid bars, flat bars, rods etc... in order to manufacture our own tools.

> Tools made of Steel F111.

Standard tool

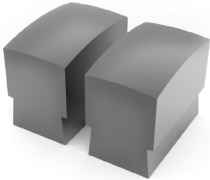
N° of pieces: 4

Dimensions: 120x89mm



ACCESORIOS OPCIONALES

Tool for Power Hammer 04



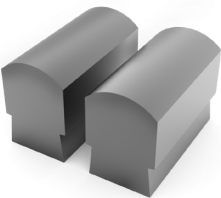
REF: 140-14-01-00004

> Molds manufactured and tempered in 1.2344 steel / AFNOR: Z40CDV5 / DIN: X40CrMoV5-1 / UNE: F5318 / AISI: SAE H13 / SKD61 / 45Cr5MoSiV1 to withstand major impacts and high temperatures.

Nº of pieces: 2

Dimensions: 100x60mm

Tool for Power Hammer 06



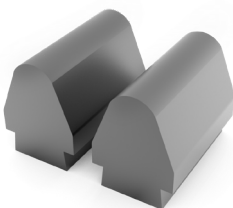
REF: 140-14-01-00006

> Molds manufactured and tempered in 1.2344 steel / AFNOR: Z40CDV5 / DIN: X40CrMoV5-1 / UNE: F5318 / AISI: SAE H13 / SKD61 / 45Cr5MoSiV1 to withstand major impacts and high temperatures.

Nº of pieces: 2

Dimensions: 120x60mm

Tool for Power Hammer 07



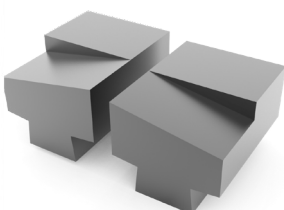
REF: 140-14-01-00007

> Molds manufactured and tempered in 1.2344 steel / AFNOR: Z40CDV5 / DIN: X40CrMoV5-1 / UNE: F5318 / AISI: SAE H13 / SKD61 / 45Cr5MoSiV1 to withstand major impacts and high temperatures.

Nº of pieces: 2

Dimensions: 120x60mm

Tool for Power Hammer 08



REF: 140-14-01-00008

> Molds manufactured and tempered in 1.2344 steel / AFNOR: Z40CDV5 / DIN: X40CrMoV5-1 / UNE: F5318 / AISI: SAE H13 / SKD61 / 45Cr5MoSiV1 to withstand major impacts and high temperatures.

Nº of pieces: 2

Dimensions: 130x100mm

Tool for Power Hammer 09



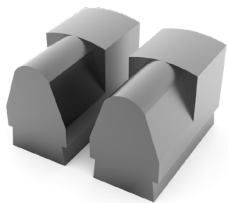
REF: 140-14-01-00009

> Molds manufactured and tempered in 1.2344 steel / AFNOR: Z40CDV5 / DIN: X40CrMoV5-1 / UNE: F5318 / AISI: SAE H13 / SKD61 / 45Cr5MoSiV1 to withstand major impacts and high temperatures.

N° of pieces: 2

Dimensions: 120x60mm

Tool for Power Hammer 10



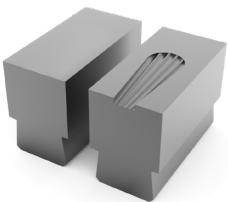
REF: 140-14-01-00010

> Molds manufactured and tempered in 1.2344 steel / AFNOR: Z40CDV5 / DIN: X40CrMoV5-1 / UNE: F5318 / AISI: SAE H13 / SKD61 / 45Cr5MoSiV1 to withstand major impacts and high temperatures.

N° of pieces: 2

Dimensions: 120x60mm

Tool for Power Hammer 13



REF: 140-14-01-00013

> Molds manufactured and tempered in 1.2344 steel / AFNOR: Z40CDV5 / DIN: X40CrMoV5-1 / UNE: F5318 / AISI: SAE H13 / SKD61 / 45Cr5MoSiV1 to withstand major impacts and high temperatures.

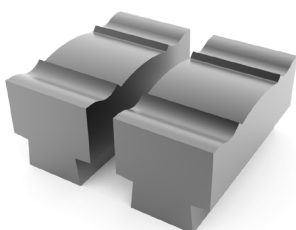
N° of pieces: 2

Dimensions: 120x60mm

Capacity: Ø 12mm \square 12mm



Tool for Power Hammer 18



REF: 140-14-01-00018

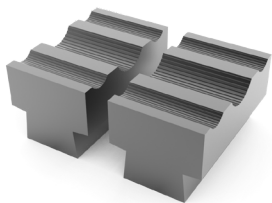
> Molds manufactured and tempered in 1.2344 steel / AFNOR: Z40CDV5 / DIN: X40CrMoV5-1 / UNE: F5318 / AISI: SAE H13 / SKD61 / 45Cr5MoSiV1 to withstand major impacts and high temperatures.

N° of pieces: 2

Dimensions: 160x80mm



Tool for Power Hammer 19



REF: 140-14-01-00019

> Molds manufactured and tempered in 1.2344 steel / AFNOR: Z40CDV5 / DIN: X40CrMoV5-1 / UNE: F5318 / AISI: SAE H13 / SKD61 / 45Cr5MoSiV1 to withstand major impacts and high temperatures.

N° of pieces: 2

Dimensions: 130x80mm



Tool for Power Hammer 20



REF: 140-14-01-00020

> Molds manufactured and tempered in 1.2344 steel / AFNOR: Z40CDV5 / DIN: X40CrMoV5-1 / UNE: F5318 / AISI: SAE H13 / SKD61 / 45Cr5MoSiV1 to withstand major impacts and high temperatures.

N° of pieces: 2

Dimensions: 120x100mm

Capacity: 12x12mm



Tool for Power Hammer 21



REF: 140-14-01-00021

> Molds manufactured and tempered in 1.2344 steel / AFNOR: Z40CDV5 / DIN: X40CrMoV5-1 / UNE: F5318 / AISI: SAE H13 / SKD61 / 45Cr5MoSiV1 to withstand major impacts and high temperatures.

N° of pieces: 2

Dimensions: 120x70mm

Capacity: Ø 14mm



Tool for Power Hammer 22



REF: 140-14-01-00022

> Molds manufactured and tempered in 1.2344 steel / AFNOR: Z40CDV5 / DIN: X40CrMoV5-1 / UNE: F5318 / AISI: SAE H13 / SKD61 / 45Cr5MoSiV1 to withstand major impacts and high temperatures.

N° of pieces: 2

Dimensions: 135x60mm



Tool for Power Hammer 23



REF: 140-14-01-00023

> Molds manufactured and tempered in 1.2344 steel / AFNOR: Z40CDV5 / DIN: X40CrMoV5-1 / UNE: F5318 / AISI: SAE H13 / SKD61 / 45Cr5MoSiV1 to withstand major impacts and high temperatures.

N° of pieces: 2

Dimensions: 70x60mm

Capacity: Ø 16mm



Tool for Power Hammer 24



REF: 140-14-01-00024

> Molds manufactured and tempered in 1.2344 steel / AFNOR: Z40CDV5 / DIN: X40CrMoV5-1 / UNE: F5318 / AISI: SAE H13 / SKD61 / 45Cr5MoSiV1 to withstand major impacts and high temperatures.

N° of pieces: 2

Dimensions: 70x60mm

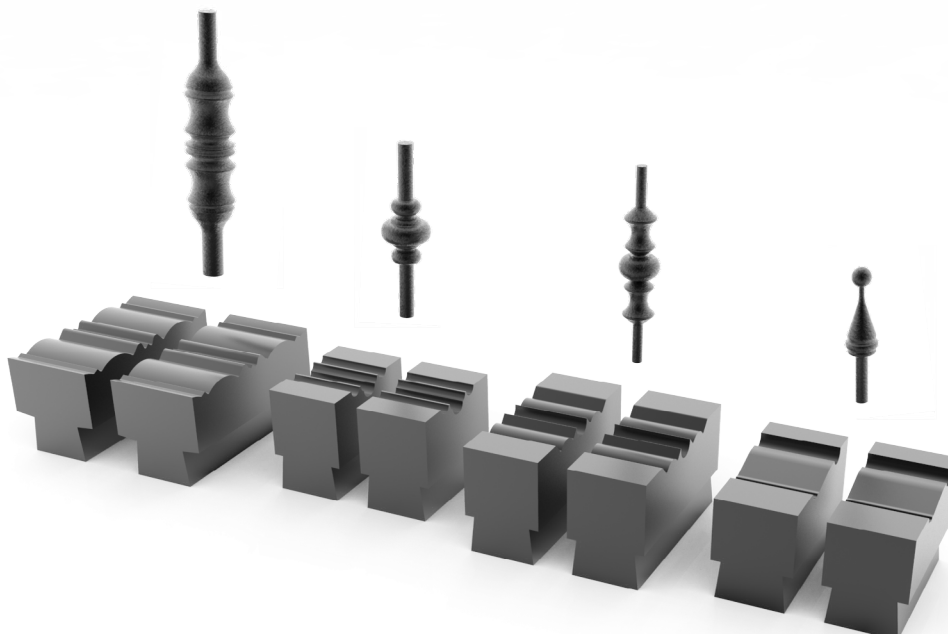
Capacity: Ø 16mm ∇ 16mm



Special dies

> Special customized tools

> Molds manufactured and tempered in 1.2344 steel / AFNOR: Z40CDV5 / DIN: X40CrMoV5-1 / UNE: F5318 / AISI: SAE H13 / SKD61 / 45Cr5MoSiV1 to withstand major impacts and high temperatures.



OUR RANGE OF MACHINERY



IRON WORKERS



SECTION BENDING
MACHINES



NON-MANDREL PIPE
BENDER



HORIZONTAL PRESS
BRAKES



TWISTING/SCROLL
BENDING MACHINES



HYDRAULIC PRESS
BRAKES



HYDRAULIC SHEAR
MACHINES



GAS FORGES



IRON EMBOSSING
MACHINES



END WROUGHT IRON
MACHINES



BROACHING MACHINES



POWER HAMMERS



BLACKSMITH FORGING
PRESS

WARRANTY

Nargesa machines have 3 years warranty provided that the customer registers it in our website. Otherwise it would be only one year warranty. This one encloses any manufacturing default all along these 3 years for components. Any misuse is excluded from this condition. Labor, back and forth shipping and any eventual repair, are not included in this warranty.

Partner companies



Airpharm

SHIPMENT EVERYWHERE

Nargesa will arrange transport up to final destination, whenever the customers asks for so. There is also the possibility for the customer to arrange the shipment himself with his own agency.

TECHNICAL ASSISTANCE

All our customers have access to technical support quickly and efficiently.

90% of incidences are solved out on the phone, mail, Skype or videoconferencing in less than 24hours. In case of needing presencial technical assistance, we may as well send a technician to the customer's facilities.

Follow us on

PRADA NARGESA, S.L.

Ctra. De Garrigàs a Sant Miquel s/n
17476 Palau de Santa Eulalia (Girona) Spain
Tel. +34 972 568 085

www.nargesa.com

nargesa@nargesa.com



This information might undergo changes