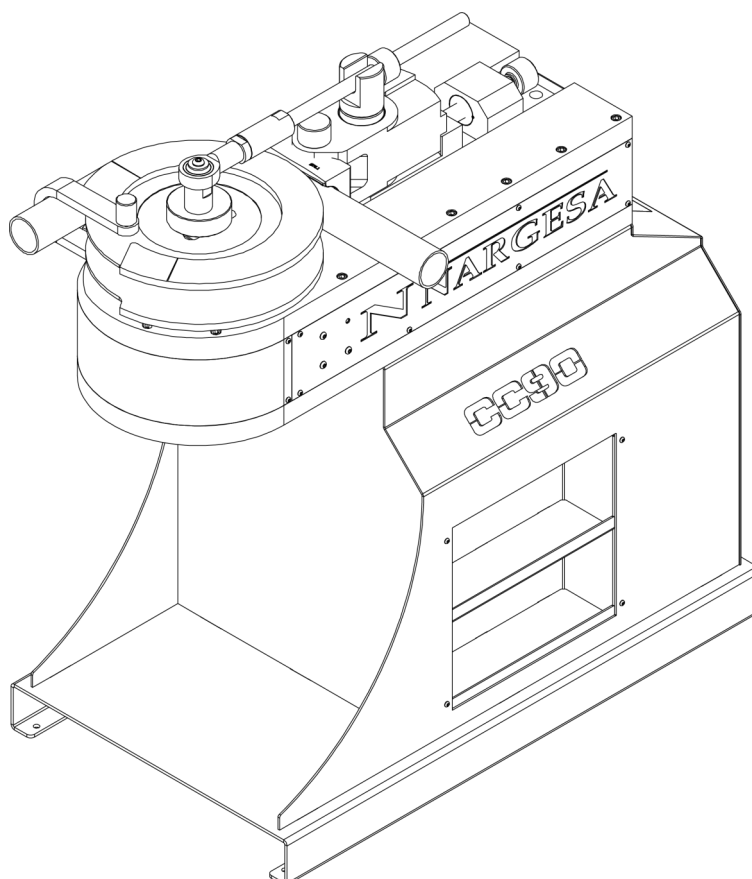


# **NON-MANDREL TUBE AND PIPE BENDER**

---

## **CC90**

NS: 2024-188/212



## **INSTRUCTIONS BOOK**

---

**PRADA NARGESA, S.L**

Ctra. de Garrigàs a Sant Miquel s/n · 17476 Palau de Santa Eulàlia (Girona) Spain  
Tel. +34 972568085 · [nargesa@nargesa.com](mailto:nargesa@nargesa.com) · [www.nargesa.com](http://www.nargesa.com)

## **NARGESA CLIENTS**

Prada Nargesa has more than 8.000 customers around the world. Some of our clients, those who offer service to third parties with the Nargesa machinery in their workshops, have been pleased to be part of this network that aims to connect them with possible future clients. In this way, all those people or companies that have a need for any part or tool that can be manufactured by using the Nargesa range of machinery, will be able to find a solution in their area to be able to satisfy their production requirements by hiring their services.



**We have more than 8.500 customers in 150 different countries around the world**

Discover its location on the interactive map on our website!

### **DO YOU WANT TO PARTICIPATE?**

Send an email to [nargesa@nargesa.com](mailto:nargesa@nargesa.com), include the following information and we will add you to this list.

We want to encourage all those who haven't participated yet in this great commercial network!

1. Company name
2. CIF/Tax Code
3. City
4. Country
5. Machine or machines

## **PRADA NARGESA**

Prada Nargesa S.L. is a family business founded in 1970 located near Barcelona, Spain, with more than 50 years of experience in the sector of manufacturing of industrial machinery, and more than 10.000m<sup>2</sup> of facilities. Nargesa is a symbol of quality, reliability, warranty and innovation.

Our whole range of machines and accessories is manufactured entirely in Nargesa. We have a constant stock of 400 machines, and we have more than 16.800 machines sold all over the world.



### **OUR RANGE OF MACHINERY**

Ironworker Machines

Ring Roller Bender and Pipe Bender

Non-mandrel Tube and Pipe Bender

Twisting / Scroll Bending Machines

Horizontal Press Brakes

End Wrought Iron Machines

Gas Forges

Iron Embossing Machines

Hydraulic Shear Machines

Hydraulic Press Brakes

Presses for Locks

Broaching Machines

Power Hammers

## CERTIFICATES

Prada Nargesa has several certifications that backup both, the design and manufacturing processes, as well as the journey through exporting our products around the world and the quality of the manufacturing components we use for our machines. These facts turn into real advantages for our customers:



### **AUTHORIZED EXPORTER**

- Faster customs procedures
- Reduction of tariff documentation
- Tariff preferences according to geographical location



### **INNOVATIVE SME**

- Development in innovation, design and manufacturing technologies
- Certification and audit of efficiency in product and service
- Ability to foresee customer needs



### **R+D+I MANAGEMENT**

- Manufacturing based on the R+D+I process
- Technological surveillance system

## SUCCESS STORIES

At Prada Nargesa we believe that the testimony of our clients is our best guarantee, and that is why we like to expose some of the success stories that we have witnessed around the world:



Discover its location on the interactive map on our website!

### DO YOU WANT TO PARTICIPATE?

Send an email to [nargesa@nargesa.com](mailto:nargesa@nargesa.com) including the following information and we will add you to our website

Company name

Testimonial name

Post in the Company

Country

Descriptive text

Photography with the machine

**CONTENTS**

**1. MACHINE DETAILS** ..... 3

    1.1. Machine Identification..... 3

    1.2. Dimensions ..... 3

    1.3. Description of the Machine ..... 3

    1.4. Machine Parts ..... 4

    1.5. General Characteristics ..... 5

    1.6. Description of the Guards ..... 6

**2. TRANSPORT AND STORAGE** ..... 7

    2.1. Transport ..... 7

    2.2. Storage Conditions ..... 7

**3. MAINTENANCE** ..... 8

    3.1. Greasing Moving Parts ..... 8

**4. INSTALLATION AND START UP** ..... 9

    4.1. Machine Location ..... 9

    4.2. Dimensions and Work Area ..... 9

    4.3. Acceptable External Conditions ..... 9

    4.4. Instructions for Electrical Connection ..... 10

**5. INSTRUCTIONS FOR USE** ..... 11

    5.1. Assembling the Roller and Counter-Die ..... 11

    5.2. Assembling the Radius Arm ..... 13

    5.3. Changing Rotation Direction ..... 14

    5.4. Control Panel ..... 16

    5.5. Manual Mode ..... 17

    5.6. Angle Correction ..... 20

    5.7. Radius Arm ..... 20

    5.8. Part Counter ..... 21

    5.9. Rotation Direction ..... 22

    5.10. Adjustment Tables ..... 24

    5.11. Automatic Mode ..... 26

    5.12. Remote Service ..... 29

    5.13. Import/Export Parameters, Materials and Programs ..... 30

    5.14. Touchscreen Calibration ..... 32

**6. ACCESSORIES** ..... 33

    6.1. Optional Accessories ..... 36

**7. TROUBLESHOOTING**..... 42

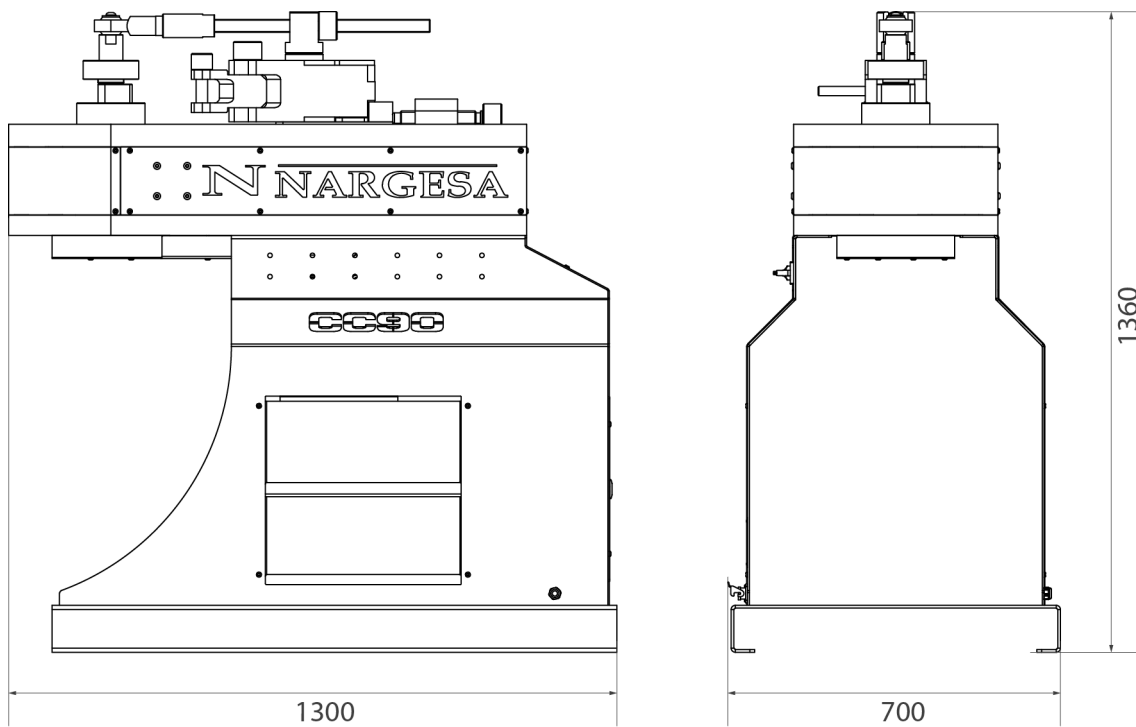
**TECHNICAL ANNEXES**

**1. MACHINE DETAILS**

**1.1. Machine Identification**

<b>Make</b>	NARGESA
<b>Type</b>	Non-Mandrel Pipe Bender
<b>Model</b>	CC90

**1.2. Dimensions**



*Figure 1. Outside Dimensions of Bender CC90*

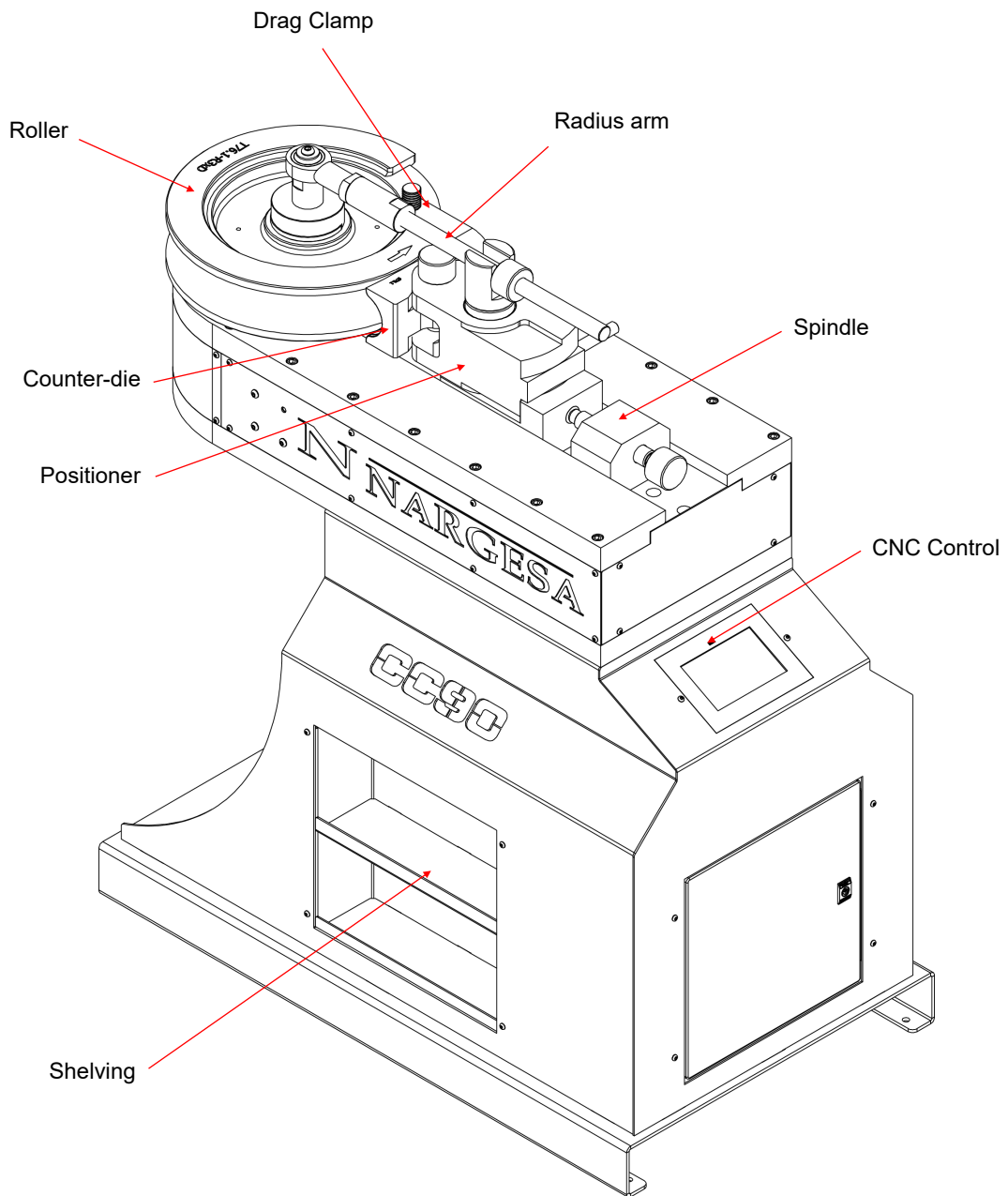
**1.3. Description of the Machine**

The non-mandrel pipe bender CC90 is a machine specifically designed to bend profiles, mainly metal ones, of different thicknesses and configurations: pipes, solid profiles, T-profiles, angles...

The bender comes standard with a radius arm that must be used to bend thicker pipes of larger diameters. Besides standard rollers, PRADA NARGESA manufactures different types of additional rollers for all types of bending based on the configuration of the material to be worked.

**PRADA NARGESA S.L. is not liable for any damages that may be caused due to improper use or a breach of the safety rules by users.**

1.4. Machine Parts







*Figure 2. Characteristics plate*

**1.5. General Characteristics**

<b>Reference</b>	<b>100-17-02-001</b>
<b>Engine power</b>	2,2 Kw / 3 CV
<b>Three-phased tension</b>	230/400 V 50/60 Hz
<b>Automatic rotation speed</b>	From 0,75 to 2,2 r.p.m.
<b>Intensity</b>	9/5 A
<b>Minimum radius of curvature</b>	3 times the pipe diameter
<b>Maximum radius of curvature</b>	390 mm
<b>Maximum working stroke on round steel pipe</b>	90mm or 3" Schedule or 3" 1/2 Whitworth or 3" Gas x 6mm.
<b>Maximum angle of curvature</b>	180°
<b>Dimensions</b>	700x1300x1360 mm
<b>Weight</b>	860 Kg

### 1.6. Description of the Guards

The gear box and all the gears enabling the machine to operate are inside the main structure which protects the mechanisms.

Despite the fact the main moving parts are protected by the front cover, special precaution must be taken when bending to prevent entrapment between the die, counter-die and part.

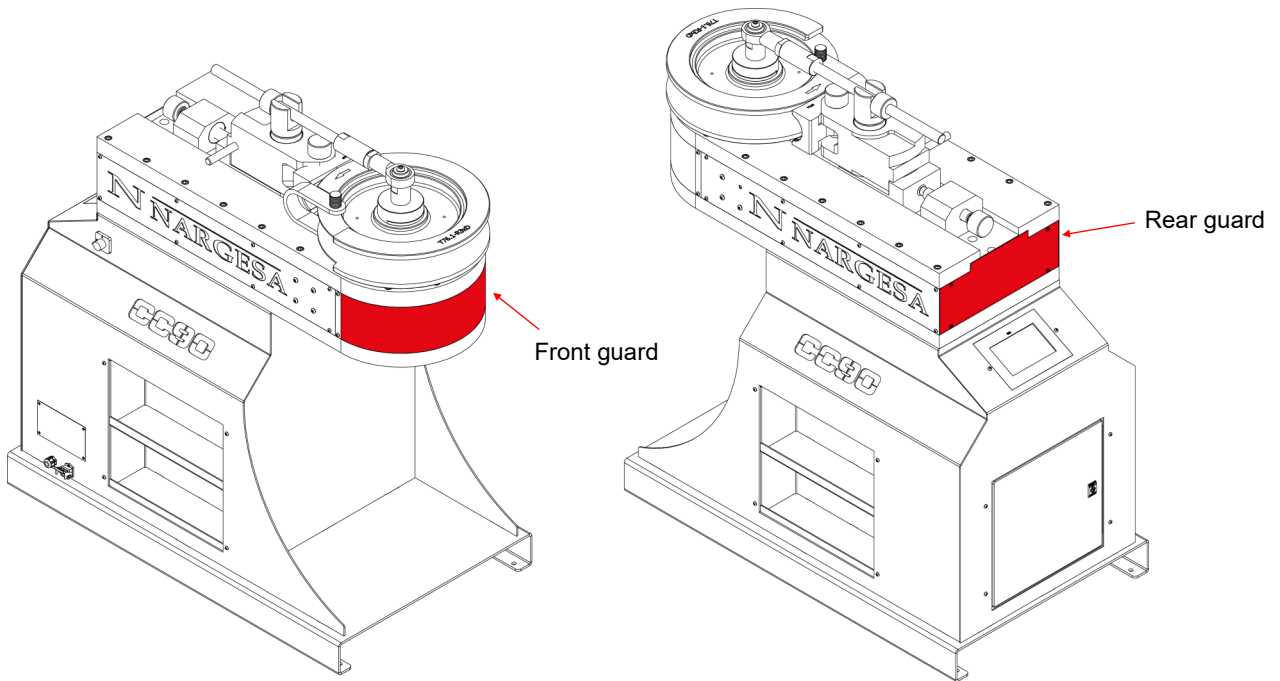


Figure 3. Mechanism Protection Guards

## 2. TRANSPORT AND STORAGE

### 2.1. Transport

The machine should be transported as follows:

- Along the bottom at the base of the machine using a forklift or lift truck as indicated in the illustration.
- Never raise the machine more than 200 mm off the ground or it may tip over.

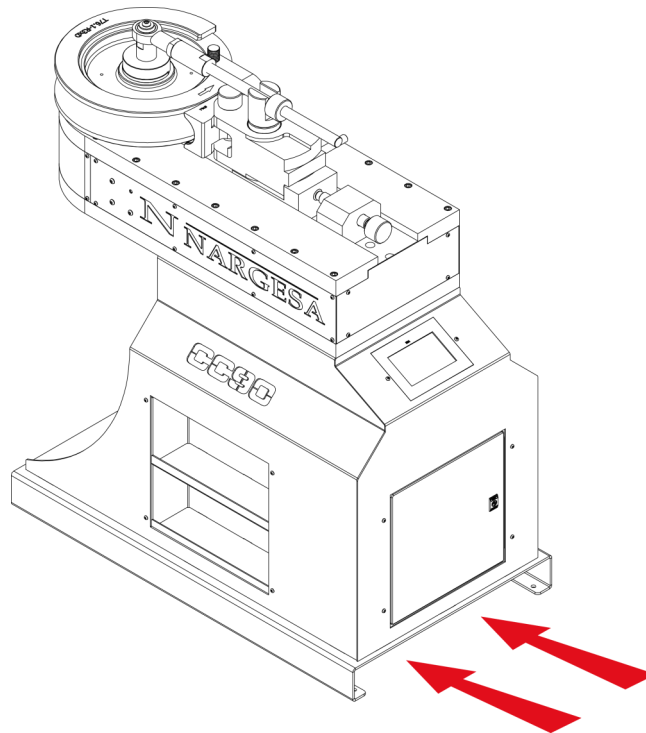


Figure 4. Moving the machine

### 2.2. Storage Conditions

The pipe bender may not be stored anywhere that does not meet the following requirements:

- Humidity of 30% to 95%
- A temperature of -25°C to 55°C or 75°C over periods not to exceed 24 hours (please remember these temperature are for storage conditions)
- Do not pile machines or place any heavy objects on top
- Do not dismantle for storage

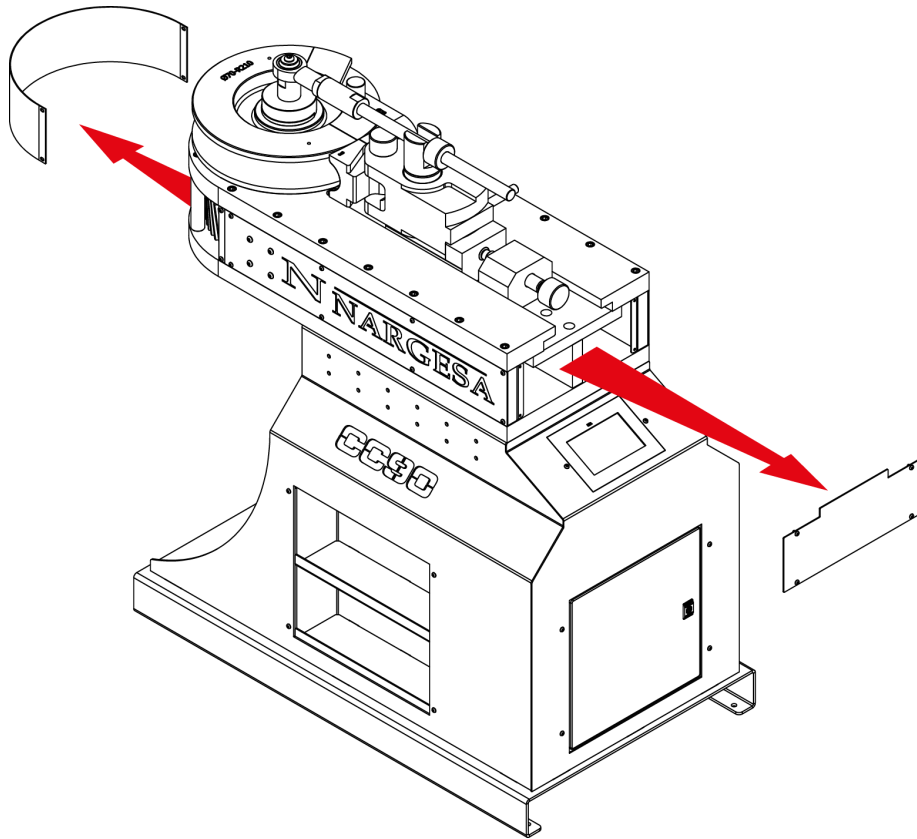
### 3. MAINTENANCE

#### 3.1. Greasing the Moving Parts

Keeping the moving parts on the machine clean whenever possible is recommended to ensure proper operation and extend the service life.

To grease the pinions on the CC90, do as follows:

- Remove the front guard and rear guard to access the pinions.
- Apply grease to the teeth of the pinions using a brush or spatula.
- Distribute the grease evenly without creating any excess or accumulation.
- Grease the machine periodically depending on the use. Recommended by the manufacturer: once a year.



**ATTENTION:** To grease the machine, you must stop the machine and press the “Emergency Stop” button.

## 4. INSTALLATION AND START UP

### 4.1. Machine Location

Try to position the machine in the proper location so that it does not have to be moved; otherwise, following the steps described in the transport section (no. 2). Position over a smooth, level surface to prevent vibrations and movements during bending operations.

The machine can be secured with bolts as it comes with a base or pedestal on the bottom with four holes as shown in the following figure.

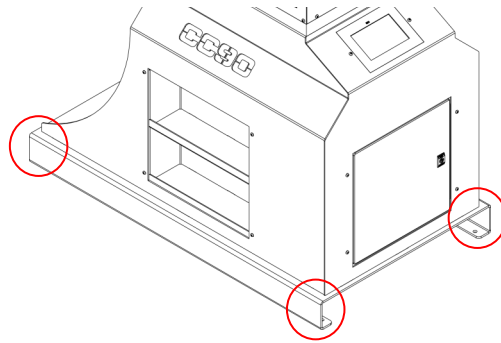


Figure 5. Anchoring points on the machine

### 4.2. Dimensions and Work Area

Take the dimensions, operator work area and the lengths of any materials to be worked into consideration when positioning the machine.

The pipe bender may be used by a single operator who must stand on one of the two sides of the machine to control the materials during processing.

Before starting the bending process, the operator shall adjust the roller and counter-die to the material while the machine is off.

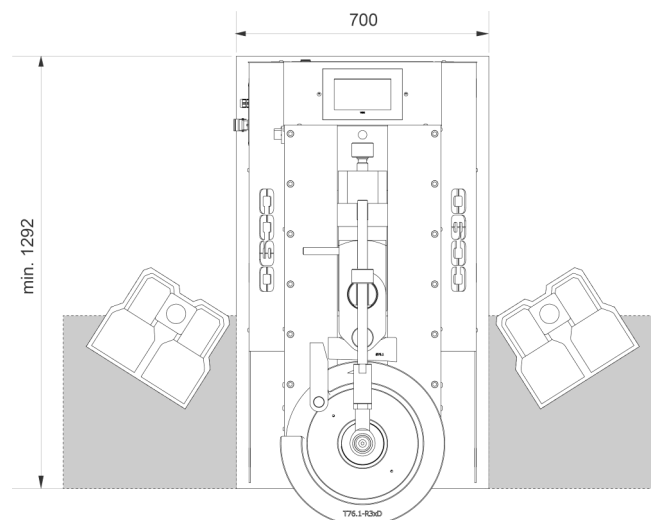


Figure 6. Operator's work area

### 4.3. Acceptable External Conditions

- A room temperature of between +5 °C and +40 °C without exceeding an average temperature of +35 °C over 24 hours.
- Moisture between 30% and 90% without water condensation.

#### 4.4. Instructions for Electrical Connection

**IMPORTANT**

**This machine must be connected to an earthed socket.**

The pipe bender CC90 is equipped with a 230 V 1.1 kw engine for operation with the Roller. The machine must be connected to 220 V compatible supply voltage compliant with the requirements specified.

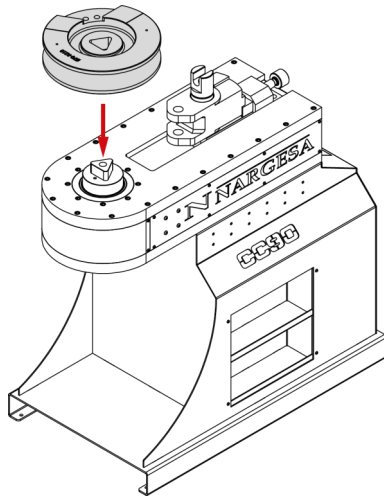
**Before making any change in the wiring or the electric panel,  
you need to make sure the machine is not connected to the power supply system.**

## 5. INSTRUCTIONS FOR USE

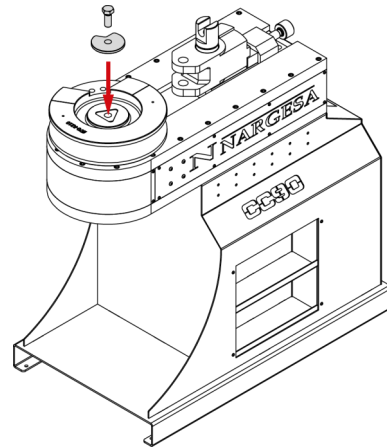
### 5.1. Assembling the Roller and Counter-Die

The roller shall be assembled as follows:

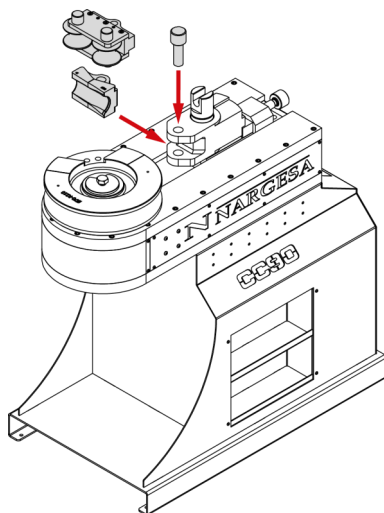
1. Place the roller in the machine axis. The built-in centring pin will prevent an incorrect position.



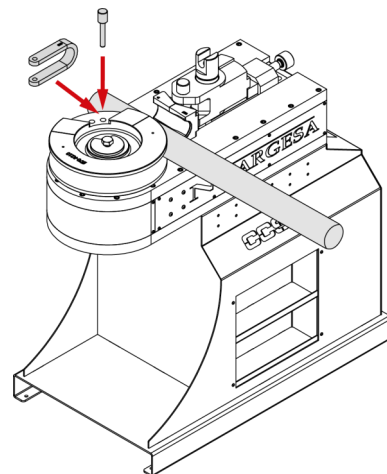
2. Secure the roller with the washer and screw.



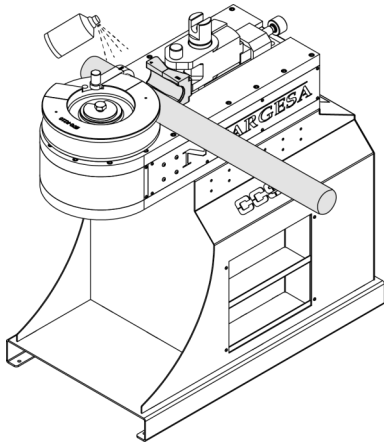
3. Put the counter-die or support rollers in the positioner and secure.



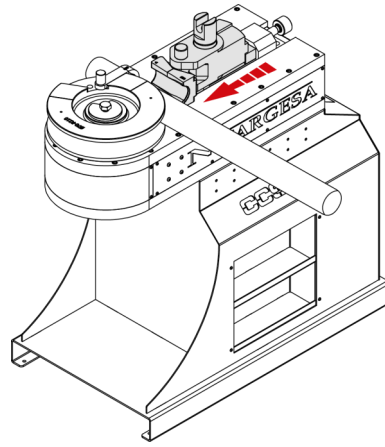
4. Put the material in the roller guide and secure to the drag clamp.



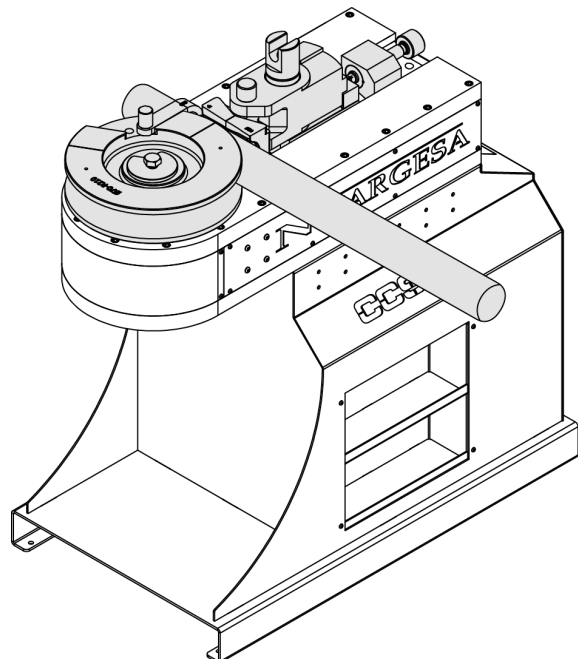
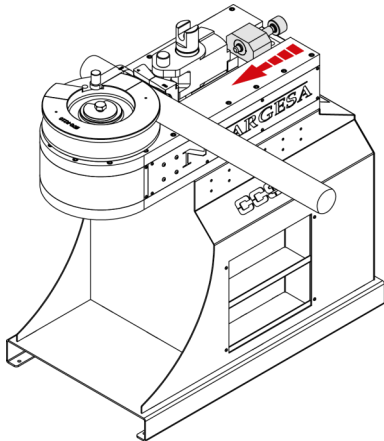
5. Lubricate the pipe and the counter-die with BEND8 spray.



6. Slide the counter-die positioner until adjusted to the material.



7. Secure the positioning spindle with your hands to the machine table.



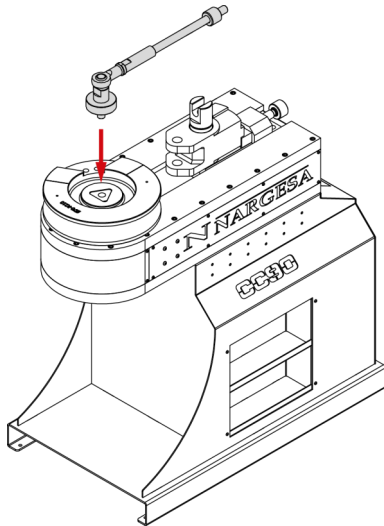


### 5.2. Assembling the Radius Arm

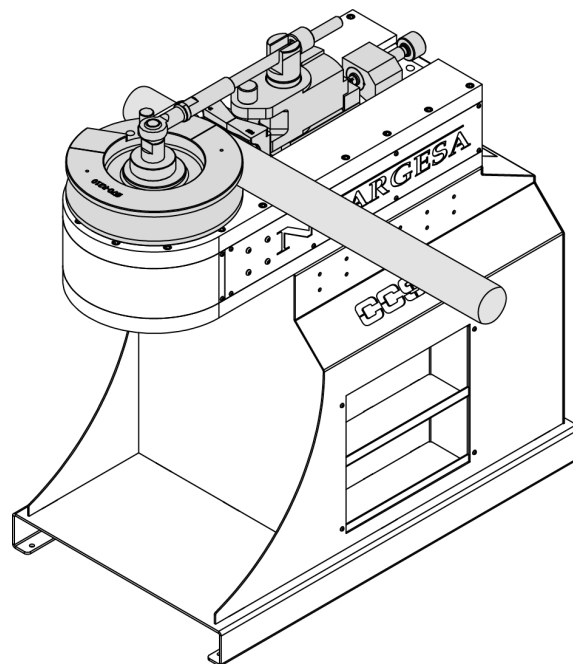
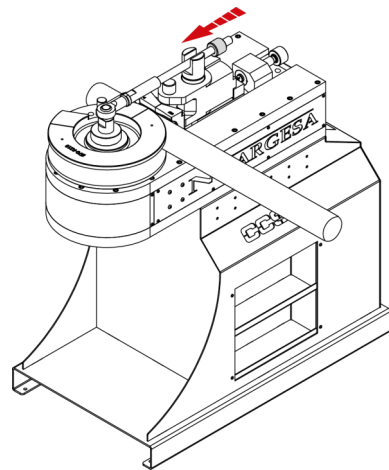
If the radius arm must be used, switch step 2 with 2A as explained below.

And follow step 7 with number 8 as explained below.

2A. Secure the roller with the radius arm.



8. Place the radius arm in the positioner channel and adjust the nut with your hands until secure and fixed.



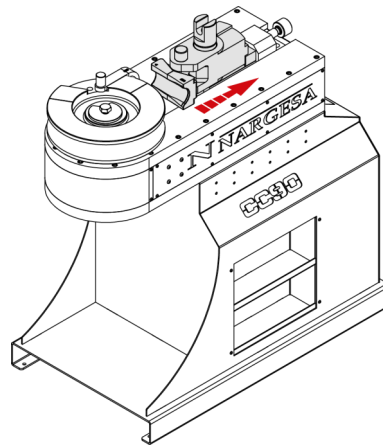
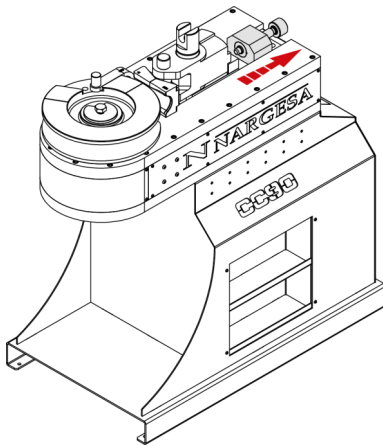
### 5.3. Changing the Rotation Direction

The non-mandrel pipe bender CC90 is programmed to rotate counter-clockwise. When the rotation direction must be changed, make the following position changes:

**IMPORTANT**  
**Remove the material from the machine to make this change.**

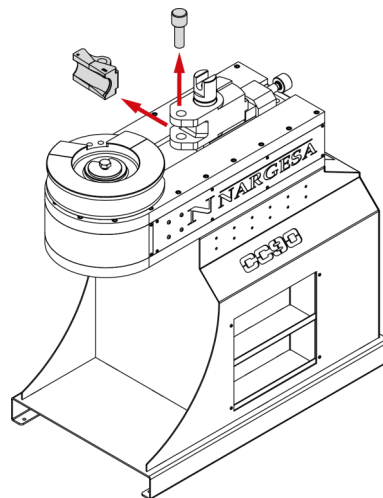
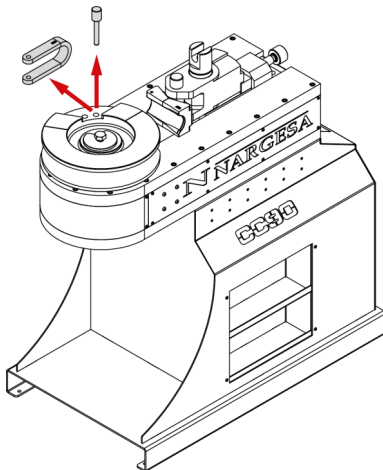
1. Remove the positioning spindle.

2. Remove the positioner and counter-die.

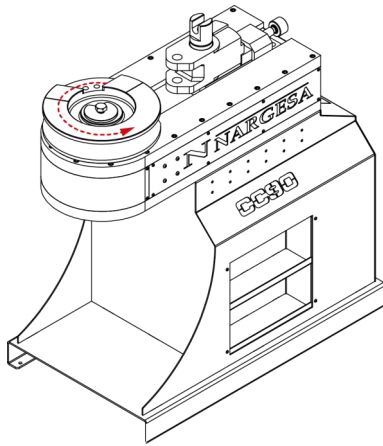


3. Remove the drag clamp.

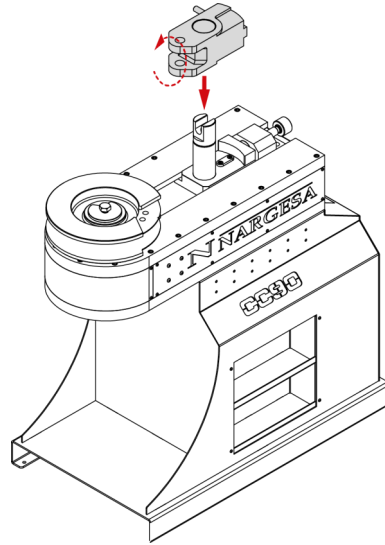
4. Remove the counter-die.



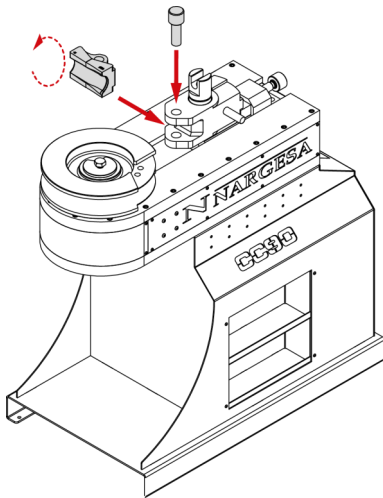
5. Position the roller with the CNC. See section **5.8. Rotation Direction.**



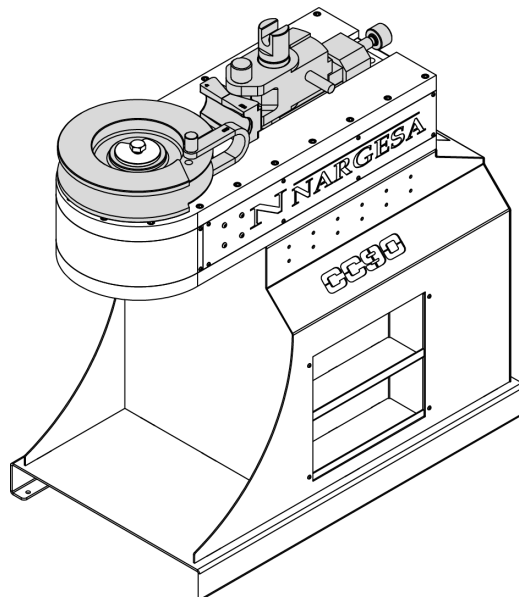
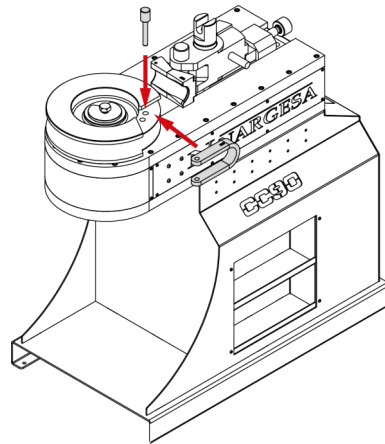
6. Turn the positioner 180° degrees and insert it back in the carriage.



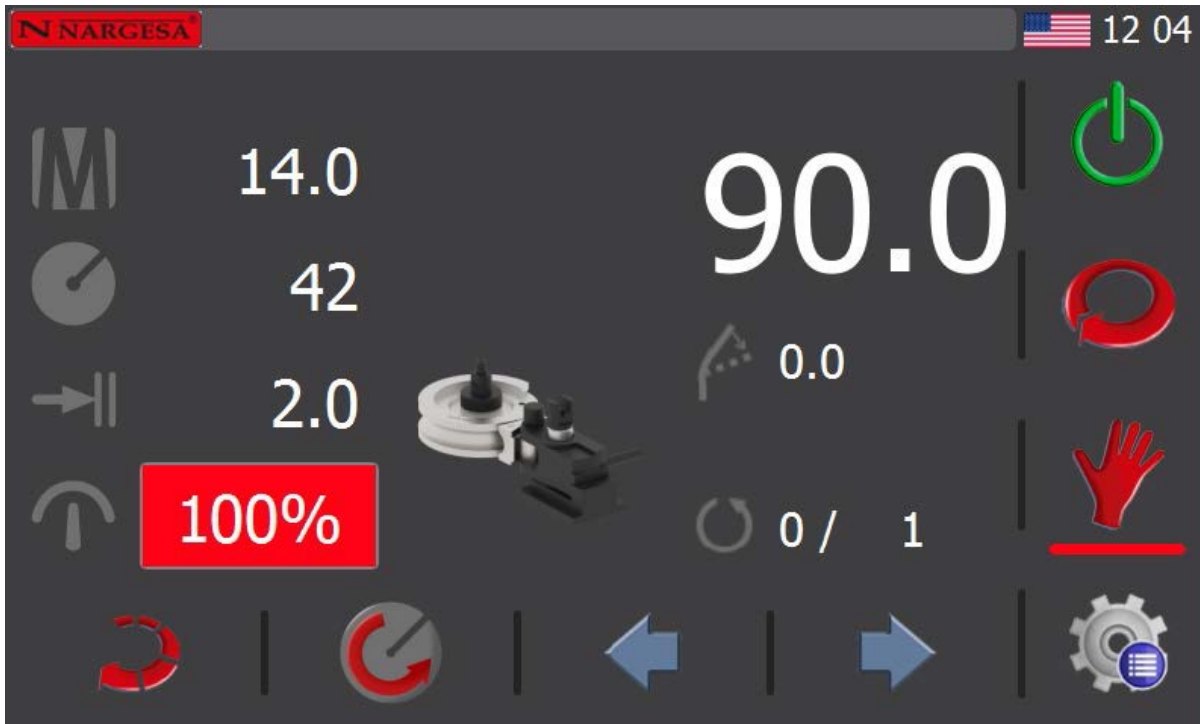
7. Rotate the counter-die 180° and secure with the pin.



















8. Put the drag clamp back on.



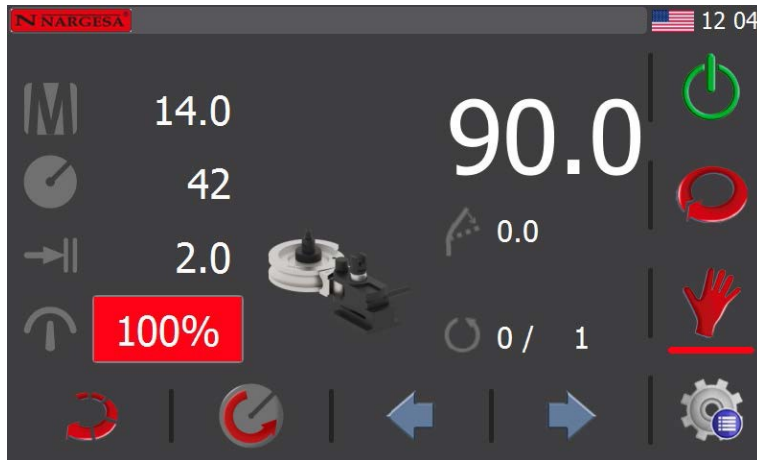
5.4. Control Panel



- |   |                                 |   |                           |
|---|---------------------------------|---|---------------------------|
|  | On                              |  | Diameter of the material  |
|  | Automatic                       |  | Roller Radius             |
|  | Manual                          |  | Operating speed           |
|  | Menu                            |  | Thickness of the material |
|  | Manual rotation to the right    |  | Corrector                 |
|  | Rotation direction to the left  |  | Part counter              |
|  | Rotation direction to the right |  | Repetitions               |
|  | Automatic unlocking             |   |                           |
|  | Manual rotation to the left     |   |                           |

### 5.5. Manual Mode

To turn on the machine, place the Start Switch in the Connected position. The initial interface appears on the screen:



The machine is now in Standby; in other words, the machine is active yet at rest waiting for any operation order.

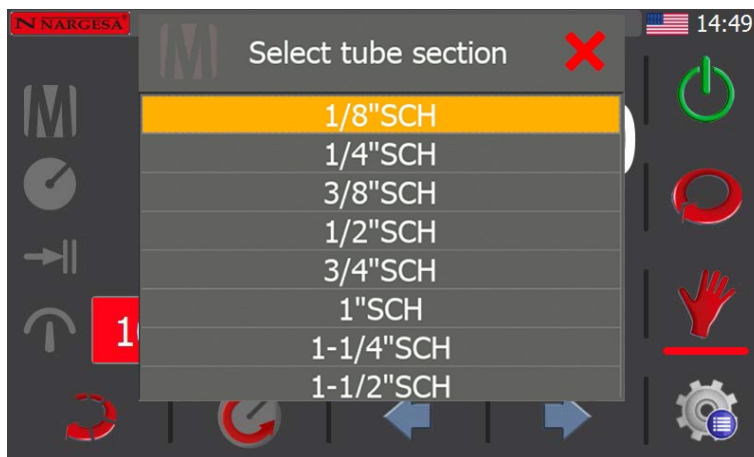
The CC90 is already started and in Standby. To activate it, follow the steps indicated below.


Enter the following operating details:

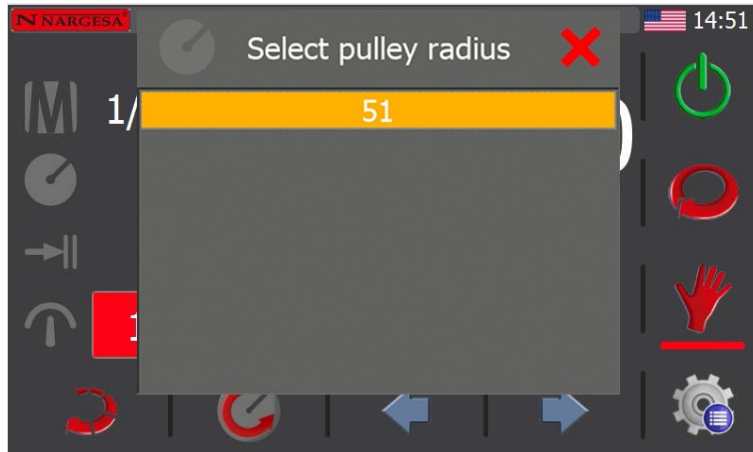
- Diameter of the material
- Roller radius
- Thickness of the material
- Bending angle


Press each of the items on the screen to enter all these parameters.

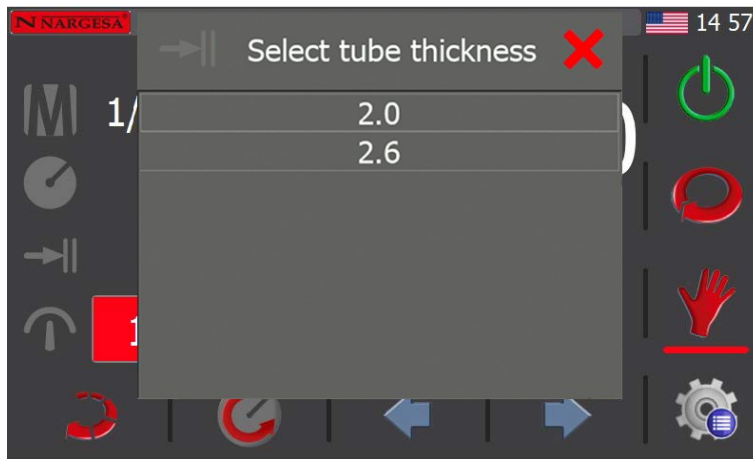
Press the **M** key to choose the diameter of the material to be curved:





Press  to choose the roller radius.



Press  to choose the thickness of the material:




To determine the bending angle, press the number that appears at the top right of the screen and enter the value; in this case, 90 degrees. Press  to accept and  to start the machine.






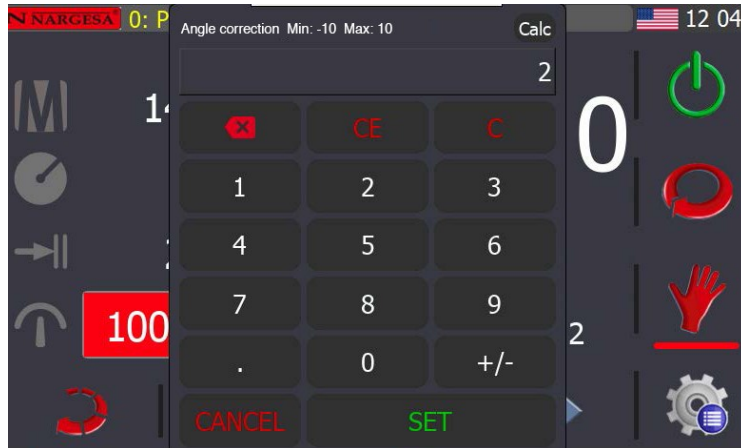
The machine will work at minimum speed based on the parameters entered.



If necessary, enable the automatic unlocking option by pressing the icon . This means the machine will automatically unlock by rotating in the opposite direction of the bending a few degrees to unlock the material. If it is not necessary, disable this icon.



### 5.6. Angle Correction

If the curving angle needs to be corrected, you must stop the curving process and indicate the necessary correction. Press the icon  and enter the number of degrees required for correction; in this case, 2 degrees.



Confirm by pressing the key  and proceed with another curve. You must press  again to start the cycle.

### 5.7. Radius Arm

If a large-size pipe is selected, the machine indicates you must install the radius arm. Example:

A pipe with a diameter of 50 mm, a roller radius of 150 and pipe thickness of 2 mm .

If this part must be installed, the icon indicated will appear on the screen:




Install the Radius arm by following the instructions in Section **5.2. Assembling the Radius Arm.**


**IMPORTANT: Whenever the machine indicates the Radius arm is necessary, it must be installed. Not installing it could cause irreparable damages to the machine.**



### 5.8. Part Counter

Another function on the machine is the part counter.

To activate it, press the number that appears to the right of the icon  and add the number of curves you wish to make. In this case, 25.

Confirm by pressing the  key.




The second number in this field indicates the curves already made

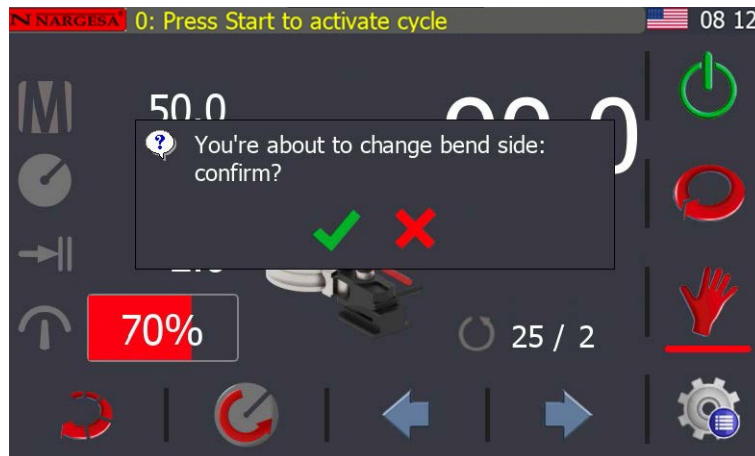
If the part counter is not used, enter a 0 for this parameter. The machine will do the same curve an infinite number of times.

### 5.9. Rotation Direction

Bender CC90 is unique in that it can operate in the two rotation directions. This feature is essential for parts that may collide against the machine.

**IMPORTANT:** Before making the rotation change, you must remove the Counter-die and Drag Clamp to make sure there is no pipe in the machine.

To proceed with the change in rotation direction, press the rotation direction change key. 



Confirm by pressing . A message appears indicating that you must move the roller to position 0.




Press the  key so the roller rotates to the zero position



Upon making the rotation change, the machine maintains the same program and the same parameters; it only changes the direction of rotation.

**IMPORTANT:** once the rotation change is made, the counter-die and drag clamp must be installed for curving. See section **5.3. Rotation Direction Change.**

If you want to reverse the rotation direction, just repeat the process by pressing the  key.



Accept and proceed in the same way by pressing the  key until the machine reaches the zero position.

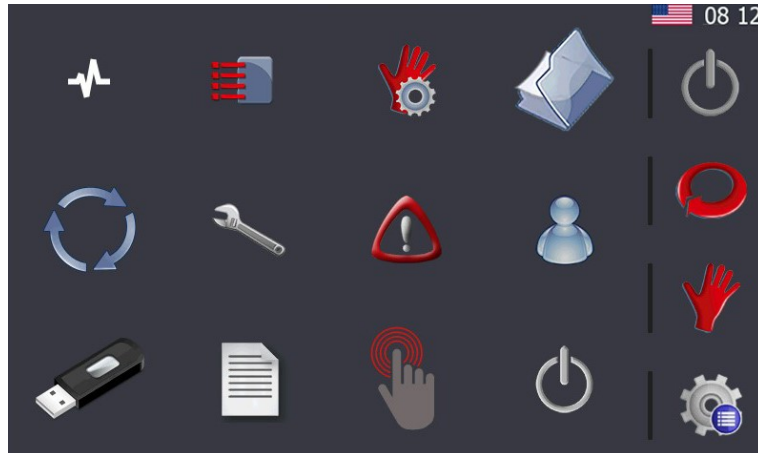
**ATTENTION:** if you do not complete all the steps in the rotation change process, the machine will continue using the previously set rotation direction.


### 5.10. Correction Tables

**IMPORTANT:** Pipes come in different thicknesses and roughnesses depending on the pipe manufacturer and the country where they are manufactured.

Narges has added a capability table to the machine which may be edited and updated. This table may be modified by the customer to adjust the correction levels based on the material processed.

To access the corrections table, press the  key. The following screen will appear:




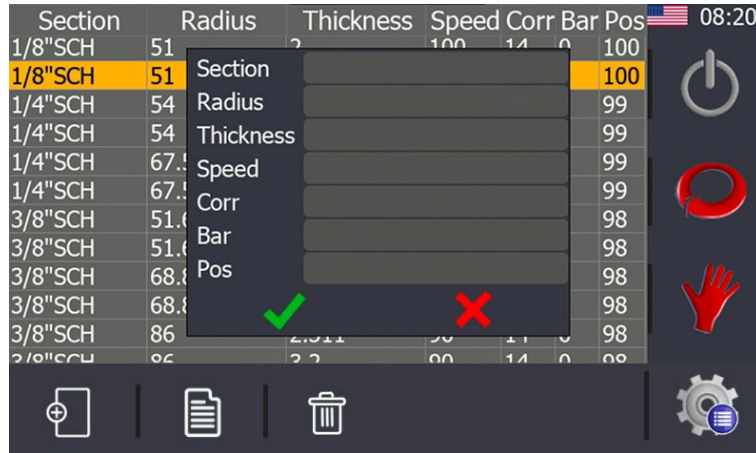
Press the  key to access the corrections menu:

Section	Radius	Thickness	Speed	Corr	Bar	Pos
1/8"SCH	51	2	100	14	0	100
1/8"SCH	51	2.65	100	14	0	100
1/4"SCH	54	2.235	100	14	0	99
1/4"SCH	54	2.9	100	14	0	99
1/4"SCH	67.5	2.235	100	14	0	99
1/4"SCH	67.5	2.9	100	14	0	99
3/8"SCH	51.6	2.311	90	14	0	98
3/8"SCH	51.6	3.2	90	14	0	98
3/8"SCH	68.8	2.311	90	14	0	98
3/8"SCH	68.8	3.2	90	14	0	98
3/8"SCH	86	2.311	90	14	0	98
3/8"SCH	86	3.2	90	14	0	98

This screen shows the factory-set parameters: Section, Radius, Thickness, Speed, Corrector, Bar and Position.

Pipes can be corrected with these tables.

To add the parameters for a new pipe, press the  key and complete the fields:



Section: refers to the pipe diameter.

Radius: refers to the radius of the roller.

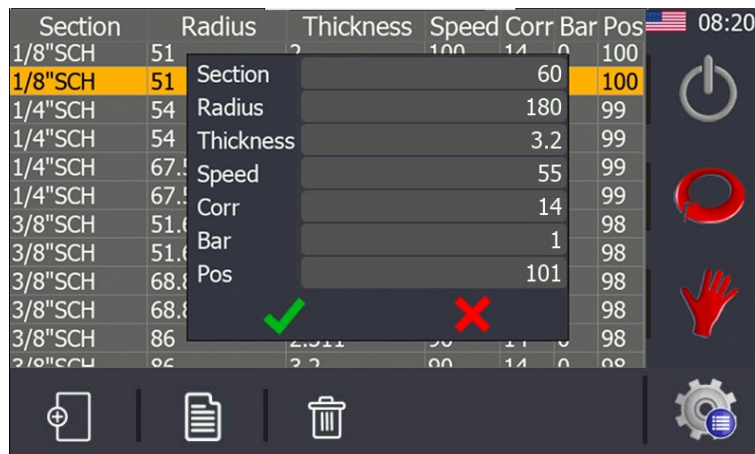
Thickness: refers to the pipe thickness.

Speed: refers to the maximum pipe curving speed.

Corr: refers to the correction required for the roller.

Bar: refers to the need to use the radius arm.


Pos: refers to the position of this new pipe on the list of materials.

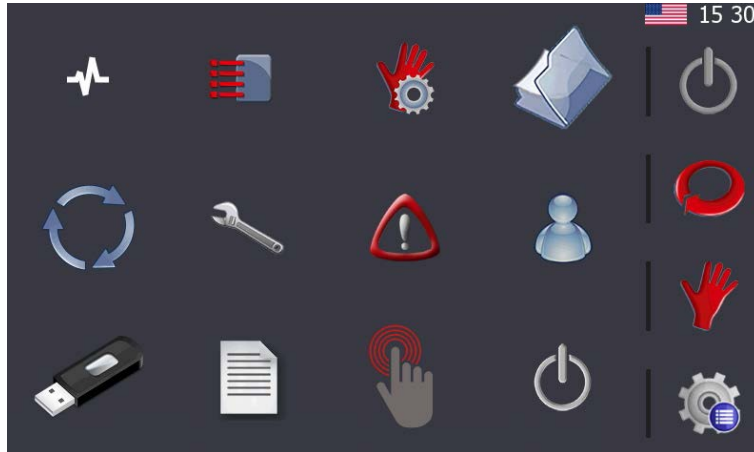



The changes are saved upon accepting and will be effective immediately.

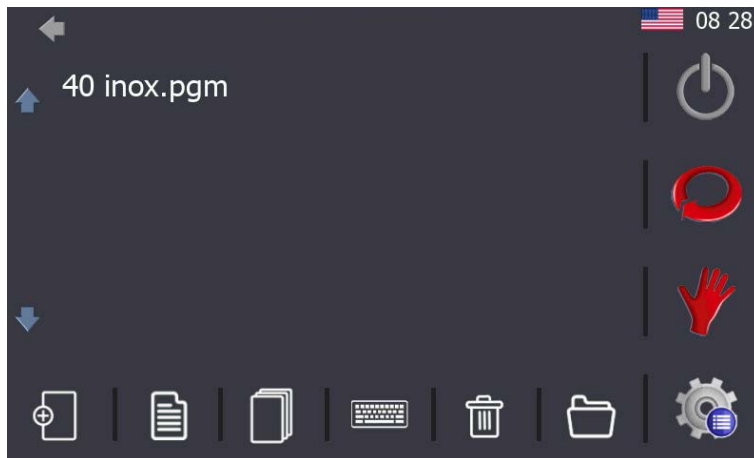
### 5.11. Automatic Mode

This operating mode makes it possible to make curves with different curve angles on the same piece. This model also enables saving programs in the CNC to be used whenever needed.

To generate a new program, press the  key and this screen will appear:

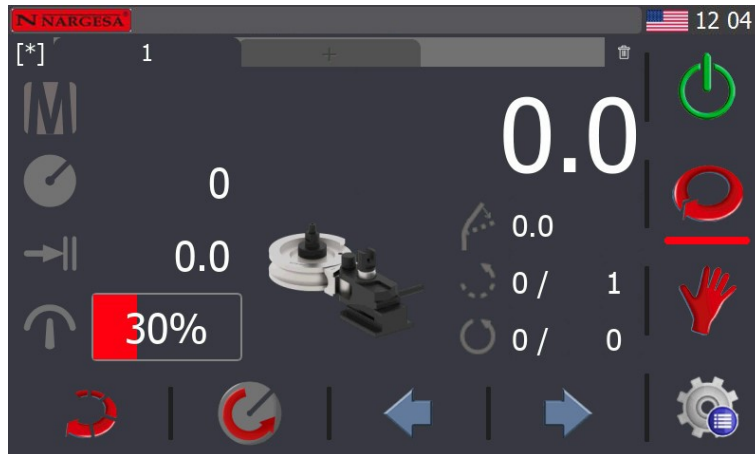


Press the  key and this will appear on the screen:



Edit the programs from the interface: generate a new program, modify it, generate new folders or delete them.

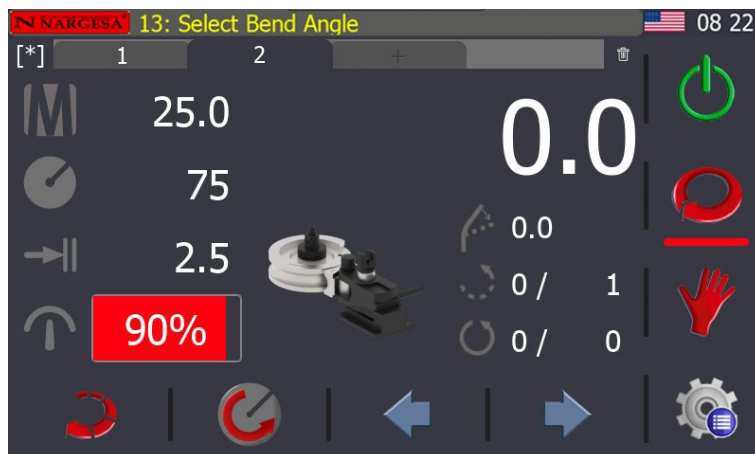
To generate a new program, press the  key. After pressing it, this screen will appear:



Complete the parameters just like in Manual Mode: enter the pipe section, the radius of the roller, the pipe thickness, the number of pieces needed and the curve angle.




Now add a new curve in the same program. To do so, press the **+** key at the top of the screen.



**IMPORTANT:** The general data are the same for the entire program; in other words, if they are changed for a specific curve, they will be changed for the entire program.

Enter the angle at which you wish to make the curve in the second operation; in this case, 45 degrees. Now, the program has two curves programmed, the first at 90 degrees and the second at 45 degrees. Add all curves needed by pressing the + key and enter a new radius of curving.



For cases where you must make two curves at the same degrees, a new operation does not need to be added to the program. Use the repetition tool by pressing the  icon and add the number of times this curve should be repeated. In this case, the machine will make 3 curves at 45 degrees as part of the number 2 curving in the program.



Save the program by pressing the [\*] icon at the top right of the screen.

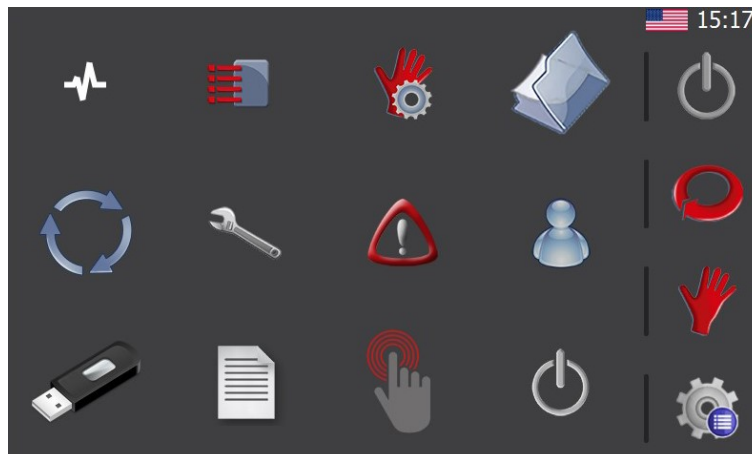



Enter a name for the program and press Enter.

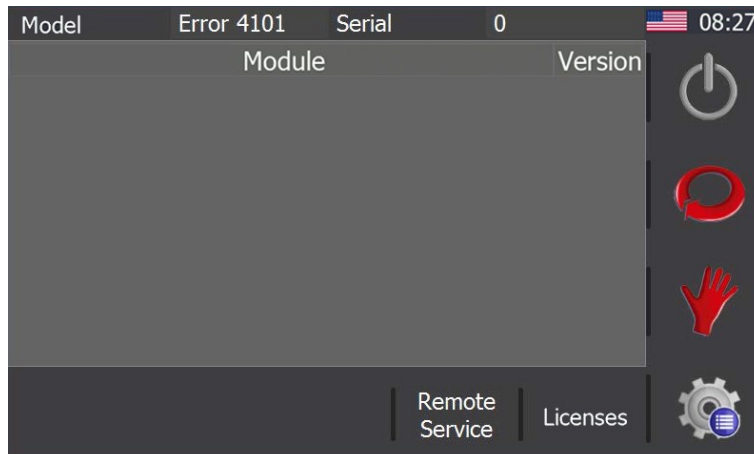
### 5.12. Remote Service

The bender is ready to be connected to ethernet via the cable supplied for this purpose. The IP address in the local network is 10.10.51.110, which is factory-set. This also makes it possible to configure a remote service for the machine.


This service allows Nargesa, as the bender manufacturer, to connect remotely to the machine to resolve technical incidents and provide the end customer with distance training.



To activate the remote service, press the  key to access the menu window.

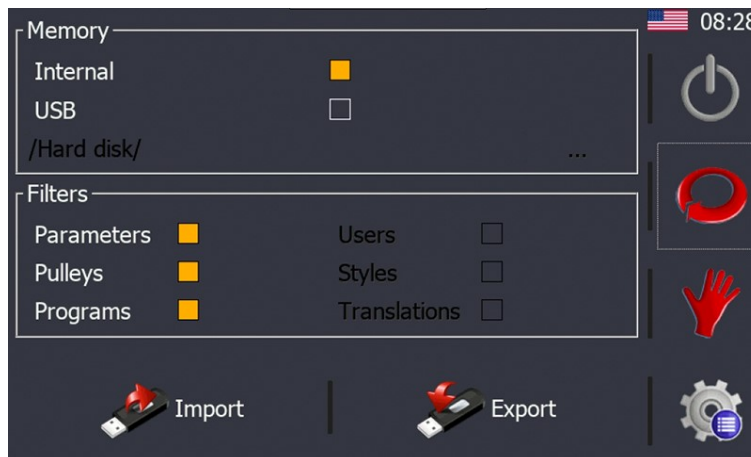




The information shown in the figure above refers to the model and serial number for the bender control as well as the versions of the different digital libraries used in the user interface.


To activate the remote service so the Nargesa technical assistance department may connect to the machine to resolve incidents and/or provide distance training, you need to press .


### 5.13. Import/Export Parameters, Materials and Programs

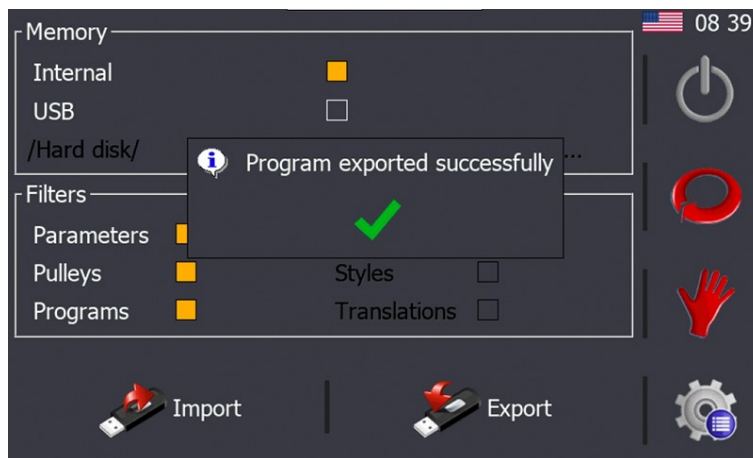
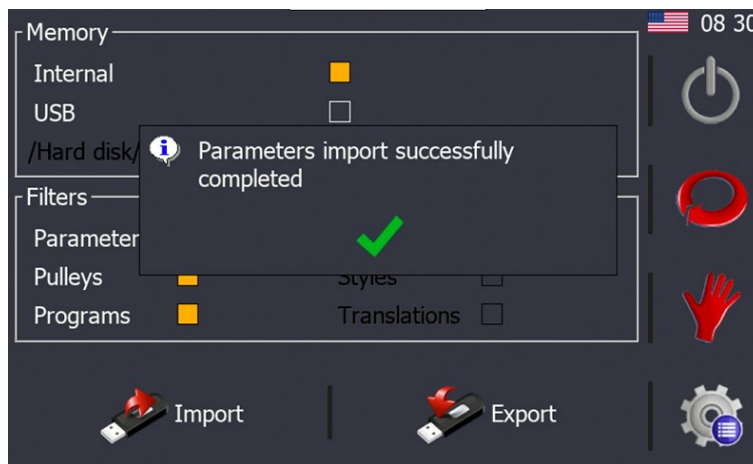
All the bender configuration parameters as well as the materials defined and programs created can be imported and exported to create backup copies.



To access the window shown in the figure above, you must press the  key. Once you access the menu screen, you must press the key .



All filters are activated by default as well as the internal memory option. If you now press , all the parameters, materials and programs will be saved in the internal shear control memory and a backup copy will be made. If you would like to make a backup copy on an external device such as a USB flash drive, you must mark the USB option and press again.

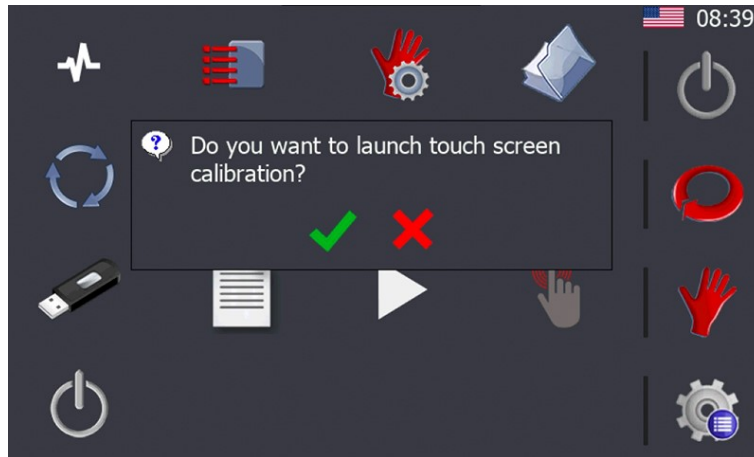
It's important to make backup copies frequently to ensure you have the parameters, materials and programs created saved. If you need to recover all or part of this information at any time, just select the data source (internal memory or USB flash drive) and press . Upon doing so, the sequence of information present on the screen will be as follows:




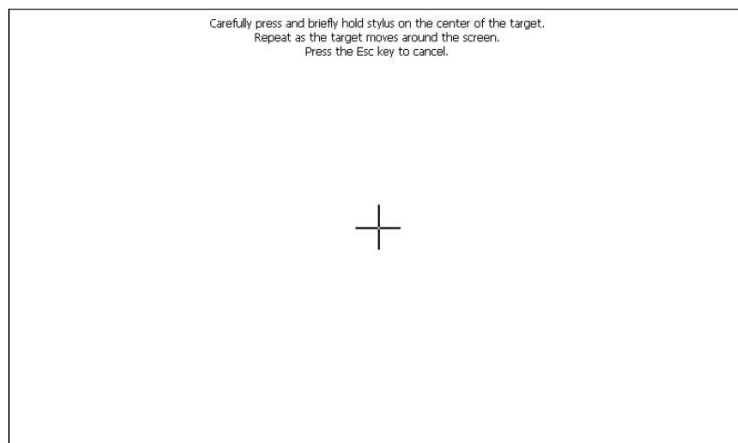
### 5.14. Calibrating the Touchscreen

The touchscreen is factory-calibrated for use. However, it may need to be calibrated if it does not accurately respond to the actions of the operator using it.

To proceed adequately, first press the key  to access the menu window. Once here, press the key . Upon doing so, the message shown below will appear on the screen:



If you accept by pressing  , the touchscreen calibration process begins. The information on the screen will change to this:



There is a cross in the middle of the window which must be pressed for a few seconds until it moves to a new position. This process is repeated at different points on the screen until the touchscreen calibration has finished.

**6. ACCESSORIES**

The CC90 pipe bender comes with a 400 ml bottle of BEND8 lubricant.

This is a high-additive and low-viscosity aerosol oil. Contains PTFE. Does not contain silicone.



- Enables the finish on the outer bend
- Inhibits roughness and inner marks
- Reduces wear of the tooling
- Especially designed for tubes of small thickness
- Lubricates to reduce friction
- Avoids and dissolves corrosion
- Gives shine and protects
- Cleans up and removes dirt

REF.	Description	Quantity	Weight
060-SPR-00003	400 ml bottle	400ml	0,39Kg
060-SPR-00004	Box of 12 400 ml bottles	12x400ml	4,83Kg

## Technical Data Sheet for the product BEND8

### A. IDENTIFICATION OF THE SUBSTANCE OR MIXTURE AND COMPANY OR SUPPLIER

#### A.1. Product identification

BEND8 aerosol

#### A.2. Relevant identified uses of the substance or mixture and uses advised against

Relevant uses: Lubricant

Uses advised against: Anything not specified in this section or section 7.3.

#### A.3. Details of the supplier of the Safety Data Sheet

Prada Nargesa, S.L.

Ctra. De Garrigàs a Sant Miquel, s/n

17476 Palau de Santa Eulàlida, Girona, Spain

Tel. +34 972568085

nargesa@nargesa.com

www.nargesa.com

#### A.4. Emergency telephone number

+34936629911

### B. HAZARD IDENTIFICATION

#### B.1. Classification of the substance or mixture

##### Regulation EC No. 1272/2008 (CLP)

This product has been classified pursuant to Regulation No. 1272/2008 (CLP).

Aerosol 1: Pressure vessel: It may explode if heated, H229

Aerosol 1: Aerosols, category 1, H222

#### B.2. Label elements

Regulation No. 1272/2008 (CLP)

##### Hazard



Hazard instructions:

Aerosol 1: H229 - Pressure vessel: It may explode if heated

Aerosol 1: H222 - Extremely flammable aerosol

Precautionary statements:

P101: If medical advice is needed, have product container or label at hand

P102: Keep out of reach of children

P210: Keep away from heat, hot surfaces, sparks, open flames and other ignition sources. No smoking

P211: Do not spray on an open flame or other ignition source.

P251: Do not pierce or burn, even after use.

P410+P412: Protect from sunlight. Do not expose to temperatures exceeding 50°C/122°F

P501: Dispose of contents/container to the local selective waste system.

#### B.3. Other Hazards

The product does not meet PBT/vPvB criteria

## C. COMPOSITION / INFORMATION ON THE COMPONENTS







### C.1. Substance

Not applicable

### C.2. Mixtures

**Chemical description:** Mixture of mineral oils and additives

**Components:** Pursuant to Annex II of Regulation (EC) no. 1907/2006 (point 3), the product contains:

Identification	Chemical name/classification		Concentration
CAS: 112-34-5 EC: 203-961-6 Index: 603-096-00-8 REACH: 01-2119475104-44-XXXX	<b>2-(2-Butoxyethoxy)ethanol<sup>1</sup></b> ATP CLP00		<b>&lt;0.05 %</b>
	Regulation 1272/2008	Eye Irrit. 2: H319 - Attention 	
CAS: 1330-20-7 EC: 215-535-7 Index: 601-022-00-9 REACH: 01-2119488216-32-XXXX	<b>Xylene<sup>1</sup></b> ATP CLP00		<b>&lt;0.05 %</b>
	Regulation 1272/2008	Acute Tox. 4: H312+H332; Flam. Liq. 3: H226; Skin Irrit. 2: H315 - Attention  	
CAS: 100-41-4 EC: 202-849-4 Index: 601-023-00-4 REACH: 01-2119489370-35-XXXX	<b>Ethylbenzene<sup>1</sup></b> Self classification		<b>&lt;0.05 %</b>
	Regulation 1272/2008	Acute Tox. 4: H332; Aquatic Chronic 3: H412; Asp. Tox. 1: H304; Flam. Liq. 2: H225; STOT RE 2: H373 - Hazard   	

<sup>1</sup> Substance subject to a workplace exposure limit

For more information on the hazards of the substances, see sections 8, 11, 12, 15 and 16.

## D. FIRST AID

### D.1. Description of first aid measures

Symptoms of intoxication may appear long after exposure. When in doubt, seek medical attention and show them the SDS for this product after direct exposure to the chemical product or if discomfort persists.

**Inhalation:** This product is not classified as an inhalation hazard; however, remove the victim from the exposure site, supply them with clean air and allow them to rest if any intoxication symptoms appear. Seek medical attention if the symptoms persist.

### 6.1. Optional Accessories

Customers must equip their pipe bender with a specific die to get the desired curving.

The diameter and thickness of the pipe as well as the radius of curvature must be taken into account when choosing a roller.

Part Characteristics:

Main Roller made of highly resistant steel which has been thermally hardened with carbonitriding for 50-54 HRC hardness; this roller guide perfectly adapts to the pipe for excellent results.

**Counter-shape** designed by the Nargesa R+D department which reduces friction and ensures optimal curving. It's made of a highly resistant aluminum bronze alloy and mechanized in 3D.

**Clamp with a fastener** to firmly secure the material during the bending process.

**Two Support holders** made of highly resistant steel which has been thermally treated with carbonitriding for 50-54 HRC hardness; these rollers reduce the surface of contact, therefore, reduces friction.



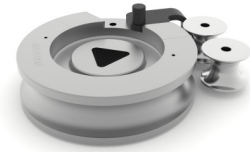
► Accessories for round pipes in millimeters · 12 to 80 mm



Rollers made of treated Steel. Units suitable for bending all types of round pipes 12 to 80 mm  
The following is supplied with the unit: A main roller, a counter-shape, a clamp with a fastener  
*Check with the manufacturer for other dimensions*

REF.	Diam. Ext.	Radius	Min. thickness	Max. thickness	Weight
<b>Set diameter 12mm Radius 60</b>					
140-17-01-10012	12mm	60mm	1mm	5mm	3,26Kg
<b>Set diameter 15mm Radius 60</b>					
140-17-01-10001	15mm	4D=60mm	1mm	5mm	3,18Kg
<b>Set diameter 18mm Radius 60</b>					
140-17-01-10010	18mm	60mm	1mm	5mm	3,11Kg
<b>Set diameter 20mm Radius 60</b>					
140-17-01-10002	20mm	3D=60mm	1mm	5mm	3,22Kg
<b>Set diameter 22mm Radius 66</b>					
140-17-01-10014	22mm	3D=66mm	1mm	5mm	4,10Kg
<b>Set diameter 25mm Radius 75</b>					
140-17-01-10003	25mm	3D=75mm	1,2mm	5mm	5,55Kg
<b>Set diameter 28mm Radius 84</b>					
140-17-01-10011	28mm	3D=84mm	1,2mm	5mm	7,28Kg
<b>Set diameter 30mm Radius 90</b>					
140-17-01-10004	30mm	3D=90mm	1,2mm	5mm	8,29Kg
<b>Set diameter 32mm Radius 98</b>					
140-17-01-10013	32mm	3D=98mm	1,5mm	5mm	10,16Kg
<b>Set diameter 35mm Radius 105</b>					
140-17-01-10005	35mm	3D=105mm	1,5mm	5mm	12,14Kg
<b>Set diameter 40mm Radius 120</b>					
140-17-01-10006	40mm	3D=120mm	1,5mm	5mm	17,11Kg
<b>Set diameter 50mm Radius 150</b>					
140-17-01-10007	50mm	3D=150mm	2mm	5mm	31,41Kg
<b>Set diameter 60mm Radius 180</b>					
140-17-01-10008	60mm	3D=180mm	2mm	5mm	40,88Kg
<b>Set diameter 70mm Radius 210</b>					
140-17-02-10001	70mm	3D=210mm	3,6mm	6mm	72,40Kg
<b>Set diameter 80mm Radius 240</b>					
140-17-02-10002	80mm	3D=240mm	4mm	5mm	88,17Kg

► Accessories for 90mm round pipes



Rollers made of treated steel. Suitable kit to bend 90mm tube of 4mm wall thickness or thicker.

The following is supplied with the unit: A main roller, a clamp with a fastener, a support holder

*Check with the manufacturer for other dimensions*

*Supporting Roller Kit REF: 140-17-02-00002 is required*

REF.	Diam. Ext.	Radius	Min. thickness	Max. thickness	Weight
<b>Set diameter 90mm Radius 270</b>					
140-17-02-10003	90mm	3D=270mm	4mm	5mm	114,36Kg

\* The walls with more thickness to the established one and the materials with more resistance, reduce the capacities of the machine.

► Accessories for round pipes 3/8" to 2" 1/2 Schedule



Rollers made of treated Steel. Units suitable for bending all types of round pipes 3/8" to 2" 1/2 Schedule.

The following is supplied with the unit: A main roller, a counter-shape, a clamp with a fastener

*Check with the manufacturer for other dimensions*

REF.	Diam. Ext.	Diam. Ext.	Radius	SCH10	SCH40	SCH80	SCH160	Weight
<b>Set diameter 17,10mm Radius 60mm Diameter 3/8" Schedule</b>								
140-17-01-20001	3/8"	17,1mm	60mm	1,65mm	2,31mm	3,20mm	—	4,22Kg
<b>Set diameter 21,30mm Radius 63,9mm Diameter 1/2" Schedule</b>								
140-17-01-20002	1/2"	21,3mm	3D=63,9 mm	2,11mm	2,77mm	3,73mm	4,78mm	3,56Kg
<b>Set diameter 26,90mm Radius 80,1mm Diameter 3/4" Schedule</b>								
140-17-01-20003	3/4"	26,9mm	3D=80,1mm	2,11mm	2,87mm	3,91mm	5,56mm	6,74Kg
<b>Set diameter 33,70mm Radius 101,1mm Diameter 1" Schedule</b>								
140-17-01-20004	1"	33,7mm	3D=101,1mm	2,77mm	3,38mm	4,55mm	6,35mm	11,18Kg
<b>Set diameter 42,40mm Radius 127,2mm Diameter 1" 1/4 Schedule</b>								
140-17-01-20005	1" 1/4	42,4mm	3D=127,2mm	2,77mm	3,56mm	4,85mm	6,35mm	18,86Kg
<b>Set diameter 48,30mm Radius 144,9mm Diameter 1" 1/2 Schedule</b>								
140-17-01-20006	1" 1/2	48,3mm	3D=144,9mm	2,77mm	3,68mm	5,08mm	—	27,05Kg
<b>Set diameter 60,30mm Radius 180,9mm Diameter 2" Schedule</b>								
140-17-02-20001	2"	60,30mm	3D=180,9mm	2,77mm	3,91mm	5,54mm	—	45,75Kg
<b>Set diameter 73mm Radius 219mm Diameter 2" 1/2 Schedule</b>								
140-17-02-20002	2" 1/2	73,0mm	3D=219mm	3,05mm	5,16mm	7,01mm	—	72,00Kg

► Accessories for 3" Schedule round pipes



Rollers made of treated steel. Suitable kit to bend 3" Schedule tube of 3,05mm wall thickness or thicker.

The following is supplied with the unit: A main roller, a clamp with a fastener, a support holder

*Check with the manufacturer for other dimensions*

*Supporting Roller Kit REF: 140-17-02-00002 is required*

REF.	Diam. Ext.	Diam. Ext.	Radius	SCH10	SCH40	SCH80	SCH160	Weight
<b>Set diameter 88,9mm Radius 266,7mm Diameter 3" Schedule</b>								
140-17-02-30003	3"	88,9mm	3D=266,7mm	3,05mm	5,49mm	—	—	110,80Kg

\* All capacities are based on the norm of carbon steel tubes according to ASTM, Standard A-53 grade A with a maximum resistance strength of 330MPa. The walls with more thickness to the established one and the materials with more resistance, reduce the capacities of the machine. Check with your material supplier for the specifications of this one.

► Accessories for round pipes in inches · 1/2" to 3" inches



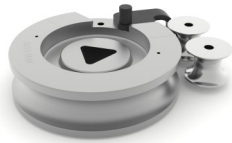
Rollers made of treated Steel. Units suitable for bending all types of round pipes 1/2" to 3"

The following is supplied with the unit: A main roller, a counter-shape, a clamp with a fastener

*Check with the manufacturer for other dimensions*

REF.	Diam. Ext.	Diam. Ext.	Radius	Min. thickness	Max. thickness	Weight
<b>Set diameter 12,7mm Radius 60mm Diameter 1/2" inches</b>						
140-17-01-30011	1/2"	12,7mm	60mm	1mm	4mm	3,37Kg
<b>Set diameter 15,88mm Radius 60mm Diameter 5/8" inches</b>						
140-17-01-30001	5/8"	15,88mm	60mm	1mm	4mm	3,61Kg
<b>Set diameter 19,05mm Radius 60mm Diameter 3/4" inches</b>						
140-17-01-30002	3/4"	19,05mm	60mm	1mm	4mm	2,79Kg
<b>Set diameter 22,22mm Radius 66mm Diameter 7/8" inches</b>						
140-17-01-10014	7/8"	22,22mm	66mm	1mm	5mm	4,10Kg
<b>Set diameter 25,40mm Radius 76,20mm Diameter 1" inches</b>						
140-17-01-30003	1"	25,4mm	3D=76,2mm	1,2mm	5mm	5,72Kg
<b>Set diameter 31,75mm Radius 95,25mm Diameter 1" 1/4 inches</b>						
140-17-01-30004	1" 1/4	31,75mm	3D=95,25mm	1,5mm	6mm	10,21Kg
<b>Set diameter 38,10mm Radius 114,30mm Diameter 1" 1/2 inches</b>						
140-17-01-30005	1" 1/2	38,10mm	3D=114,3mm	1,5mm	7mm	15,69Kg
<b>Set diameter 44,45mm Radius 133,35mm Diameter 1" 3/4 inches</b>						
140-17-01-30010	1" 3/4	44,45mm	3D=133,35mm	2mm	5mm	21,86Kg
<b>Set diameter 50,8mm Radius 152,4mm Diameter 2" inches</b>						
140-17-01-30006	2"	50,80mm	3D=152,4mm	2mm	5mm	32,24Kg
<b>Set diameter 57,15mm Radius 171,45mm Diameter 2" 1/4 inches</b>						
140-17-01-30007	2" 1/4	57,15mm	3D=171,45mm	2mm	5mm	36,13Kg
<b>Set diameter 63,5mm Radius 190,5mm Diameter 2" 1/2 inches</b>						
140-17-02-30001	2" 1/2	63,50mm	3D=190,5mm	3mm	8,64mm	40,50Kg
<b>Set diameter 76,2mm Radius 228,6mm Diameter 3" inches</b>						
140-17-02-30002	3"	76,20mm	3D=228,6mm	3mm	7,21mm	80,68Kg

► Accessories for 3" 1/2 round pipes



Rollers made of treated Steel. Suitable kit to bend 3" 1/2 tube of 4mm wall thickness or thicker.

The following is supplied with the unit: A main roller, a clamp with a fastener, a support holder

*Check with the manufacturer for other dimensions*

*Supporting Roller Kit REF: 140-17-02-00002 is required*

REF.	Diam. Ext.	Diam. Ext.	Radius	Min. thickness	Max. thickness	Weight
<b>Set diameter 88,9mm Radius 266,7mm Diameter 3" 1/2 inches</b>						
140-17-02-30003	3" 1/2	88,9mm	3D=266,7mm	4mm	6,05mm	110,80Kg

► Supporting Roller Kit CC90



**REF:** 140-17-02-00002

The CC90 Supporting Roller Kit is used to bend:

- 90mm tube of 4mm wall thickness or thicker
- 3" Schedule tube of 3,05mm wall thickness or thicker
- 3" 1/2 tube of 4mm wall thickness or thicker.

**Weight:** 24,573 kg

\* The walls with more thickness to the established one and the materials with more resistance, reduce the capacities of the machine.

► Accessories for square pipes in millimeters · 20 to 50 mm



Rollers made of treated Steel. Units suitable for bending all types of square pipes 20 to 50mm.

The following is supplied with the unit: A main roller, a counter-shape, a clamp with a fastener

*Check with the manufacturer for other dimensions*

REF.	Section	Radius	Min. thickness	Max. thickness	Weight
<b>Square Tube Die Set 20mm Radius 100mm</b>					
140-17-01-10101	20x20mm	5D=100mm	1,5mm	4mm	11,1Kg
<b>Square Tube Die Set 25mm Radius 115mm</b>					
140-17-01-10102	25x25mm	115mm	2mm	4mm	14,75Kg
<b>Square Tube Die Set 30mm Radius 135mm</b>					
140-17-01-10103	30x30mm	135mm	2mm	4mm	22Kg
<b>Square Tube Die Set 40mm Radius 165mm</b>					
140-17-01-10104	40x40mm	165mm	2mm	5mm	34,15Kg
<b>Square Tube Die Set 50mm Radio 180mm</b>					
140-17-02-10101	50x50mm	180mm	2,5mm	5mm	45,7Kg

► Accessories for square pipes in inches · 3/4" to 2" inches



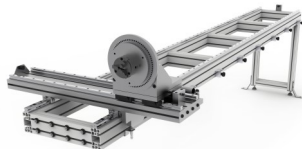
Rollers made of treated Steel. Units suitable for bending all types of square pipes 3/4" to 2" inches.

The following is supplied with the unit: A main roller, a counter-shape, a clamp with a fastener

*Check with the manufacturer for other dimensions*

REF.	Section	Section	Radius	Radius	Min. Thick.	Max. Thick.	Weight
<b>Square Tube Die Set 3/4" (19,05mm) Radius 4" (101,6mm)</b>							
140-17-01-30101	3/4"x3/4"	19,05x19,05mm	4"	101,6mm	1,5mm	4mm	11,5Kg
<b>Square Tube Die Set 1" (25,4mm) Radius 4,5" (114,3mm)</b>							
140-17-01-30102	1"x1"	25,4x25,4mm	4" 1/2	114,3mm	2mm	4mm	14,6Kg
<b>Square Tube Die Set 1" 1/4 (31,75mm) Radius 5,5" (139,7mm)</b>							
140-17-01-30103	1" 1/4x1"1/4	31,75x31,75mm	5" 1/2	139,7mm	2mm	4mm	23,3Kg
<b>Square Tube Die Set 1" 1/2 (38,1mm) Radius 6,5" (165,1mm)</b>							
140-17-01-30104	1" 1/2x1"1/2	38,1x38,1mm	6" 1/2	165,1mm	2mm	5mm	34,6Kg
<b>Square Tube Die Set 1" 3/4 (44,45mm) Radius 6,75" (171,45mm)</b>							
140-17-02-30101	1" 3/4x1"3/4	44,45x44,45mm	6" 3/4	171,45mm	2,5mm	5mm	39Kg
<b>Square Tube Die Set 2" (50,8mm) Radius 7" (177,8mm)</b>							
140-17-02-30102	2"x2"	50,8x50,8mm	7"	177,8mm	2,5mm	5mm	44Kg

► CC90 2-axis positioning gauge



The gauge of the CC90 allows to make mass produced parts, much faster, more accurate and repetitively.

- Adjustable longitudinal positioning with 6 positions
- Angular head rotation every 5 degrees
- Four-clamp plate adjustable to round and square tube
- Longitudinal movement with high precision linear guides
- Automatic anti-collision control
- Easy handling and preparation for difficult parts

REF.	Gauge length	Maximum capacity	Weight
140-17-02-50000	3000mm	90 mm, 3" Schedule	135Kg

## 7. TROUBLESHOOTING

PROBLEM	CAUSE	SOLUTION
Internal wrinkle	The pipe moved out of the clamp	Make sure the clamp is in good conditions
Internal wrinkle	Counter-die with low pressure	Tighten the counter-die
Internal wrinkle	Lack of lubrication	Use BEND8 or another similar lubricant
Internal wrinkle	The diameter of the die is too small for the pipe thickness	Increase the pipe thickness a little or buy a die with a diameter of more than 3 times the pipe diameter
Internal wrinkle	Worn counter-die	Buy a new counter-die
Excessive final deformation on the bend	Counter-die with too much pressure	Loosen the counter-die
Flattening on the outside of the bend	Counter-die with too much pressure	Loosen the counter-die
Flattening on the outside of the bend	Pipe not thick enough	Increase the pipe wall
The machine can't bend	The material hardness is much higher than recommended by the manufacturer	Contact the pipe manufacturer
The machine can't bend	Lack of lubrication	Use BEND8 to reduce friction

## **Technical annex**

### Non-mandrel tube and pipe bender CC90 CNC

---

General exploded view

Upper unit

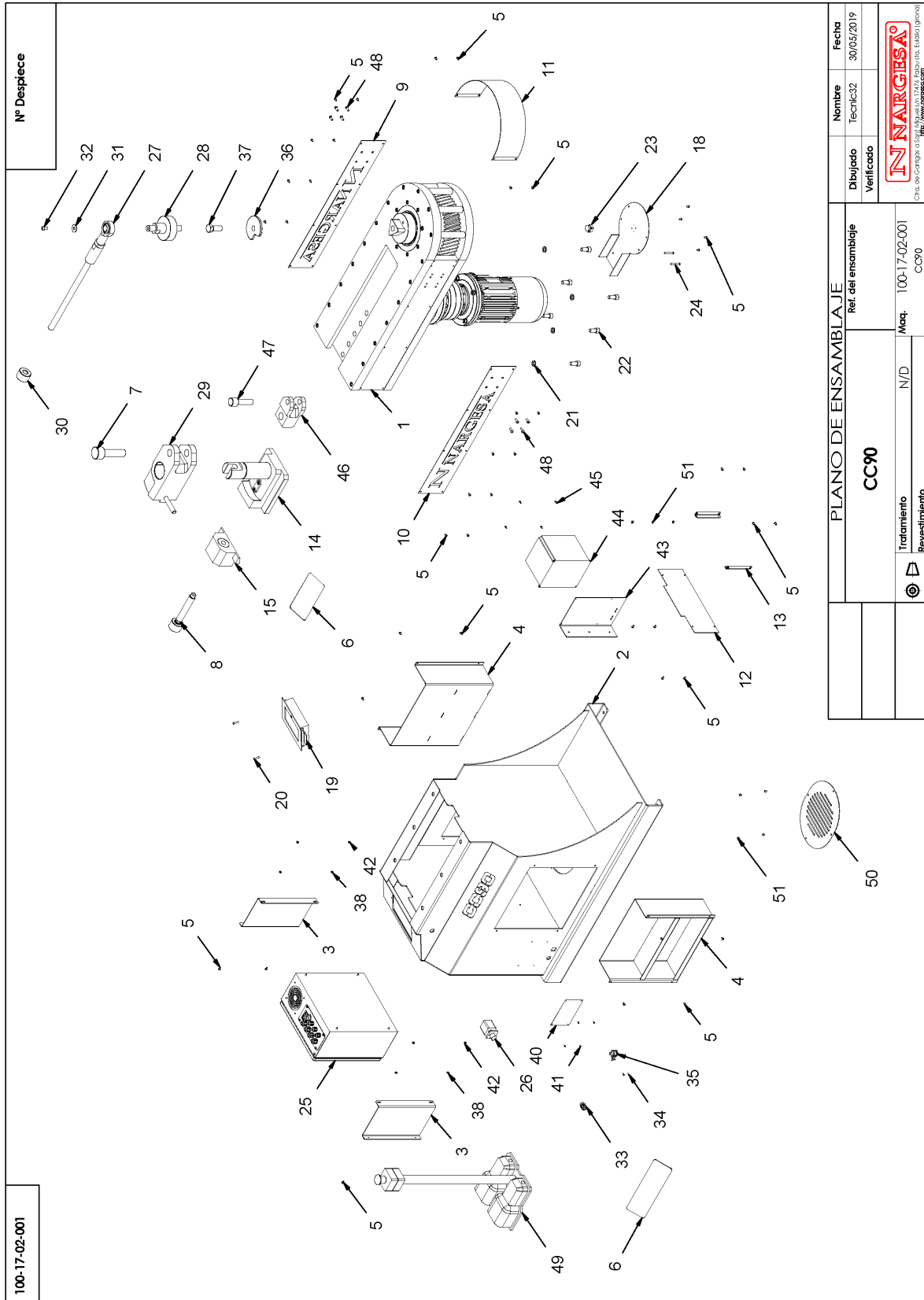
Electrical cabinet

Wiring diagrams

Wiring diagram · THREE PHASE MACHINE

Wiring diagram · SINGLE PHASE MACHINE

General Exploded View





Elemento	Miniatura	Nº de pieza	Descripción	CTDAD
1		130-17-02-00001	CONJUNTO SUPERIOR CC90	1
2		130-17-02-00002	ESTRUCTURA CC90	1
3		120-17-02-00025	SOPORTE CUADRO ELECTRICO CC90	1
4		130-17-02-00003	CONJUNTO ESTANTERIA CC90	2
5		020-I7380-M6X10	Tornillo Allen Abombado ISO 7380 M6X10	48
6		120-17-01-00043	Metacrilato Negro CC60	2
7		130-17-02-00004	CONJUNTO EJE FIJACION PORTAGUIAS CC90	1
8		120-17-02-00029	TORNILLO APRIETE CC90	1
9		120-17-02-00034	ANAGRAMA NARGESA 2 CC90	1
10		120-17-02-00035	ANAGRAMA NARGESA CC90	1
11		120-17-02-00036	ENVOLVENTE DE CHAPA CC90	1
12		120-17-02-00037	ENVOLVENTE POSTERIOR CC90	1
13		120-17-02-00038	SOPORTE ENVOLVENTE TRASERO CC90	2
14		130-17-02-00006	CONJUNTO CARRO PORTAGUIAS CC90	1


NON-MANDREL TUBE AND PIPE BENDER CC90

Elemento	Miniatura	Nº de pieza	Descripción	CTDAD
15		130-17-02-00007	CONJUNTO EMPUJE CARRO CC90	1
16		122-CAL-1101-002	Calca MC, CC i NOA	1
17		120-17-02-00063	Soporte Cuadro Eléctrico Lado Puerta CC90	1
18		120-17-02-00039	TAPA ENCODER CC90	1
19		130-17-01-00008	CONJUNTO PANTALLA CC60	1
20		020-D934-M8	TUERCA HEXAGONALI DIN934 M8	24
21		020-D127-M16	Arandela Glower DIN 127 Para M16	6
22		020-D912-M16X35	Tornillo Allen DIN 912 M16X35	6
23		050-ENC-00007	ENCODER QR30N	1
24		020-I7380-M6x60	Tornillo Allen Abombado ISO7380 M6X60	2
25		050-KIE-1701-001		1
26		050-IG-00001	Interruptor General Kg10Ak300	1
27		130-17-02-00009	CONJUNTO BRAZO REACCIONCC90	1
28		120-17-02-00049	FIJACIÓN RULINA BRAZO REACCION CC90	1

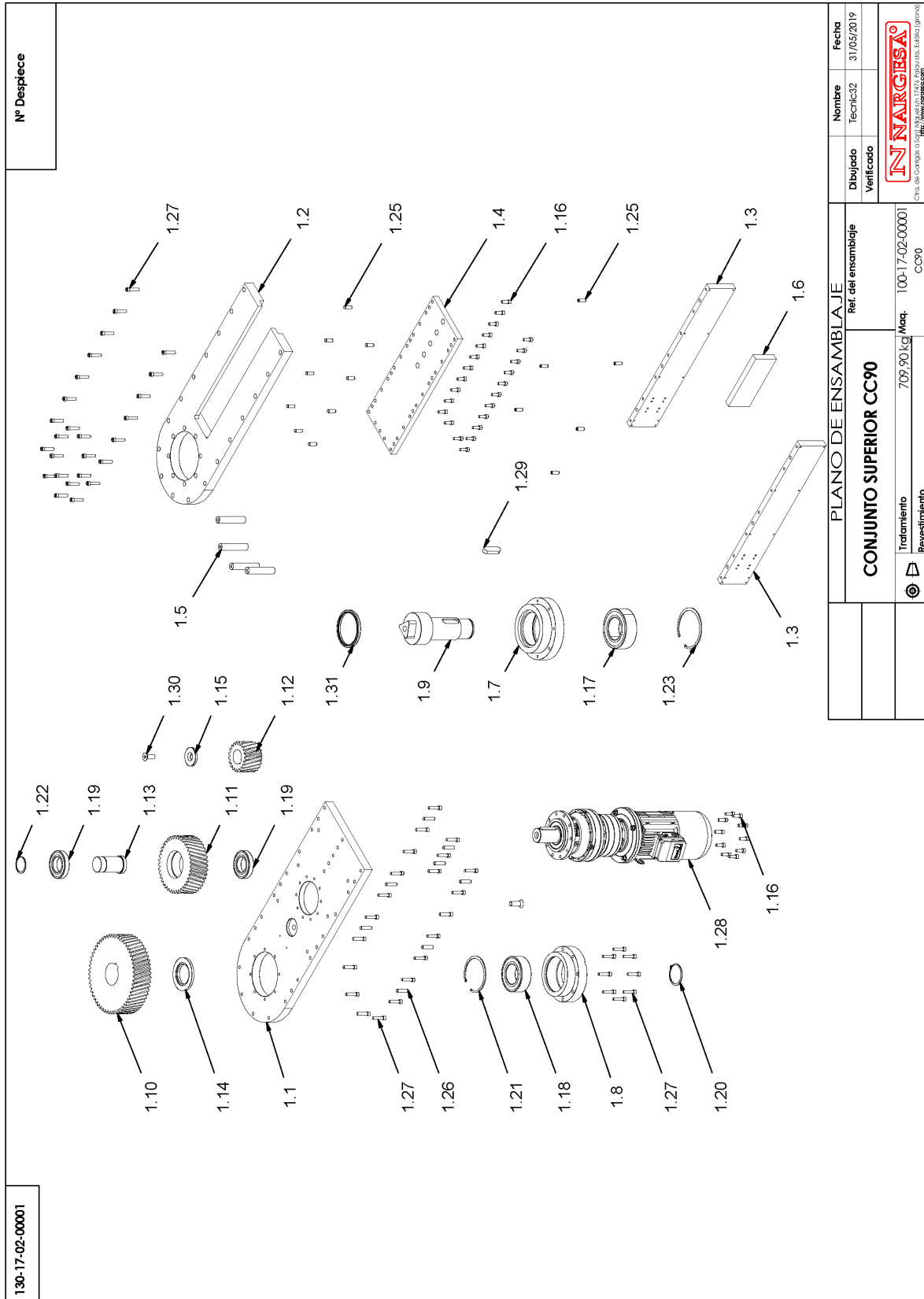
Elemento	Miniatura	Nº de pieza	Descripción	CTDAD
29		130-17-02-00010	CONJUNTO PORTA GUIAS CC90	1
30		120-17-02-00052	TUERCA BRAZO REACCIÓN CC90	1
31		020-D9021-M12	Arandela Ancha DIN9021 Para M12	1
32		020-I7380-M12X20	Tornillo Allen Abombado ISO7380 M12X20	1
33		050-PE-00003	Prensaestopa GFPT 212 50043 M20X150 PG13.5	1
34		020-D7985-M3X10	TORNILLO DIN7985 M3X10 Zincado	2
35		050-BE-00003	Zocalo Recto Ck031	1
36		120-17-02-00054	FIJACIÓN RULINA CC90	1
37		DIN 933 - M30 x 50	Perno de cabeza-hex	1
38		020-D125B-M4	Arandela Biselada DIN125B Para M4	4
39		020-D125B-M8	Arandela Biselada DIN125B Para M8	24
40		122-PLC-0000-001	Placa Características General	1
41		020-D7337-3X8	Remache De Clavo DIN7337 De Al D3X8	4
42		020-I7380-M8X12	Tornillo Allen Abombado ISO7380 M8X12	24




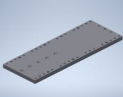

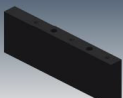
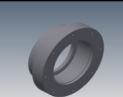
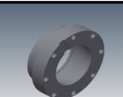
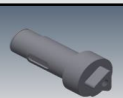
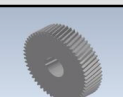


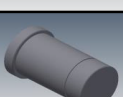
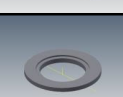
NON-MANDREL TUBE AND PIPE BENDER CC90

Elemento	Miniatura	Nº de pieza	Descripción	CTDAD
43		120-17-02-00056	PLACA FIJACION VARIADOR CC90	1
44			DELTA_VFD-E-C1-PD-3D00_CC90	1
45		020-D912-M4X10	TORNILLO ALLEN DIN 912 M4X10	4
46		120-17-02-00055	Suplemento portaguías CC90	1
47		130-17-01-00004	CONJUNO EJE FIJACION PORTAGUIAS CC60	1
48		020-I7380-M8X20	TORNILLO ALLEN ABOMBADO ISO7380 M8X20	8
49		050-PED-00002	Pedal Doble Con Paro De Emergencia	1
50		120-17-02-00057	CHAPA INFERIOR CC90	1
51		020-I7380-M6X8	Tornillo Allen Abombado ISO7380 M6X8	7
52		020-I7380-M4X10	Tornillo Allen ISO 7380 M4X10	2
53		020-D934-M4	Tuerca Hexagonal DIN934 M4	2
54		120-17-01-00075	Chapa Pantalla Variador	1
55		020-I7380-M6X30	Tornillo Allen Abombado ISO7380 M6X30	2
56		020-AET-M6	Arandela Especial para DIN912 AET - M6	2

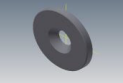

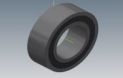
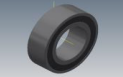
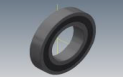





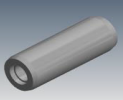
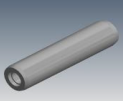


Elemento	Miniatura	Nº de pieza	Descripción	CTDAD
57		050-TAP-D22	Tapon Obturador Ø22mm - Harmony XB5 - Plastico	1

Upper Ensemble



Elemento	Miniatura	Nº de pieza	Descripción	CTDAD
1.1		120-17-02-00001	PLACA BASE CC90	1
1.2		120-17-02-00002	PLACA SUPERIOR CC90	1
1.3		120-17-02-00003	PASAMANO LATERAL REDUCTOR CC90	2
1.4		120-17-02-00004	SOPORTE GUIA INFERIOR CC90	1
1.5		120-17-02-00005	SEPARADOR ESTRUCTURACC90	4
1.6		120-17-02-00006	REFUERZO INTERIOR CC90	1
1.7		120-17-02-00007	CASQUILLO PORTA COJINETE CC90	1
1.8		120-17-02-00008	CASQUILLO PORTA COJINETE INFERIOR CC90	1
1.9		120-17-02-00009	EJE ENGRANAJE Z56 CC90	1
1.10		120-17-02-00010	ENGRANAJE HELICOIDAL Z56 M6 CC90	1
1.11		120-17-02-00011	ENGRANAJE HELICOIDAL Z40 M6 CC90	1
1.12		120-17-02-00012	ENGRANAJE HELICOIDAL Z20 M6 CC90	1
1.13		120-17-02-00013	EJE ENGRANAJE Z40 CC90	1
1.14		120-17-02-00014	SEPARADOR ENGRANAJE Z56 CC90	1

NON-MANDREL TUBE AND PIPE BENDER CC90

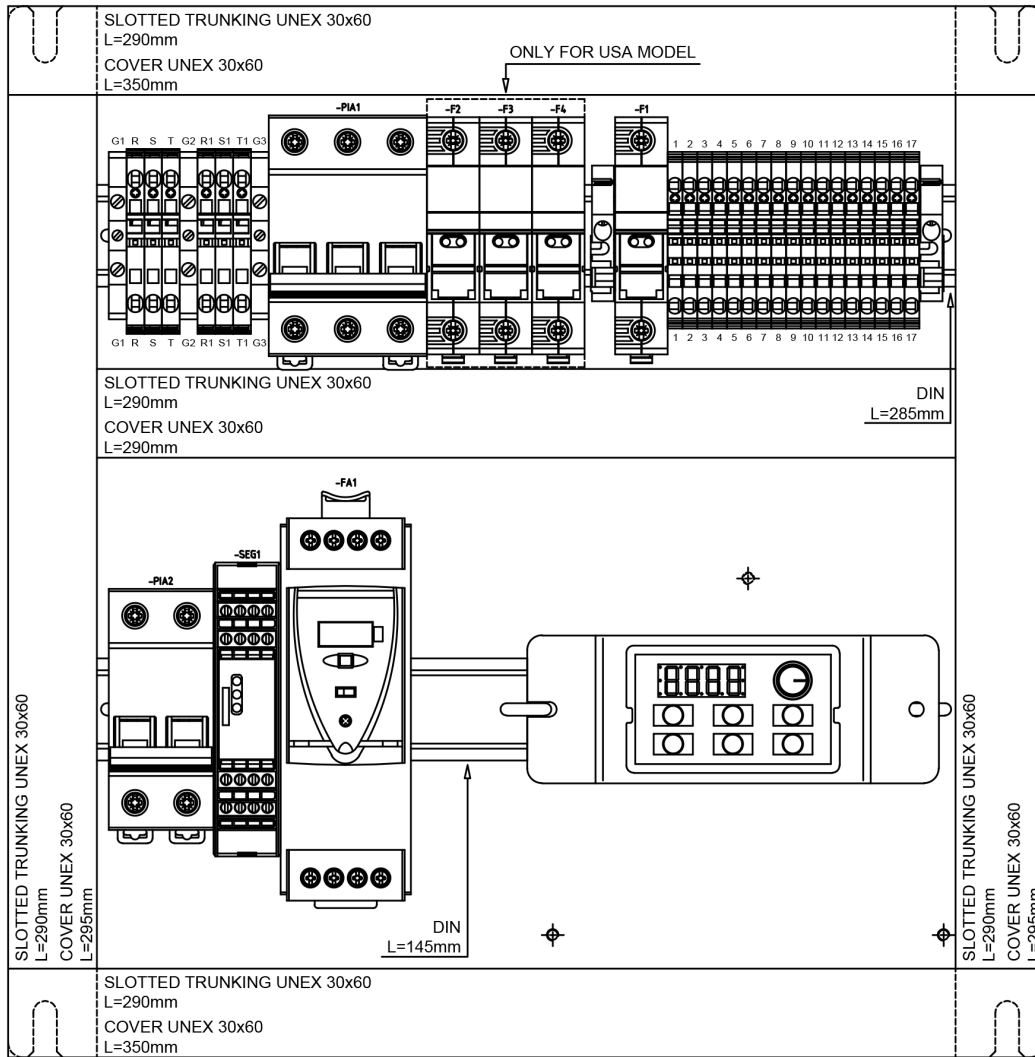
Elemento	Miniatura	Nº de pieza	Descripción	CTDAD
1.15		120-17-02-00015	ARANDELA FIJACIÓN PIÑÓN CC90	1
1.16		020-D912-M12X35	TORNILLO ALLEN DIN 912 M12X35	34
1.17		030-CJ-00034	Rodamiento 3220B 2rs tvh	1
1.18		030-CJ-00035	Rodamiento 3218B 2rs tvh	1
1.19		030-CJ-00036	Rodamiento de bolas 6214 2rs	2
1.20		030-D471-00018	Circlip Eje Din471 D90	1
1.21		030-D472-00021	Circlip Eje Din472 D160	1
1.22		030-D471-00019	Circlip Eje Din471 D70	1
1.23		030-D472-00020	Circlip Agujero Din472 D180	1
1.24		020-D7991-M20X60	Tornillo Allen Avellanado DIN7991 M20X60	1
1.25		030-D7979D-00026	Pasador Cilindrico Con Rosca Int. DIN7979/D D14X40	15
1.26		030-D7979D-00027	Pasador Cilindrico Con Rosca Int. DIN7979/D D14X60	8
1.27		020-D912-M12X55	Tornillo Allen DIN912 M12X55	55
1.28		050-RT-00007	Motor-Reductor planetario EP, R 4EL 006A 452Y C065M1 F30b I28X250 V3, Motor Freno TX (ErP) HBZ 100LA 230.400 - Pn[kW]=2.2	1



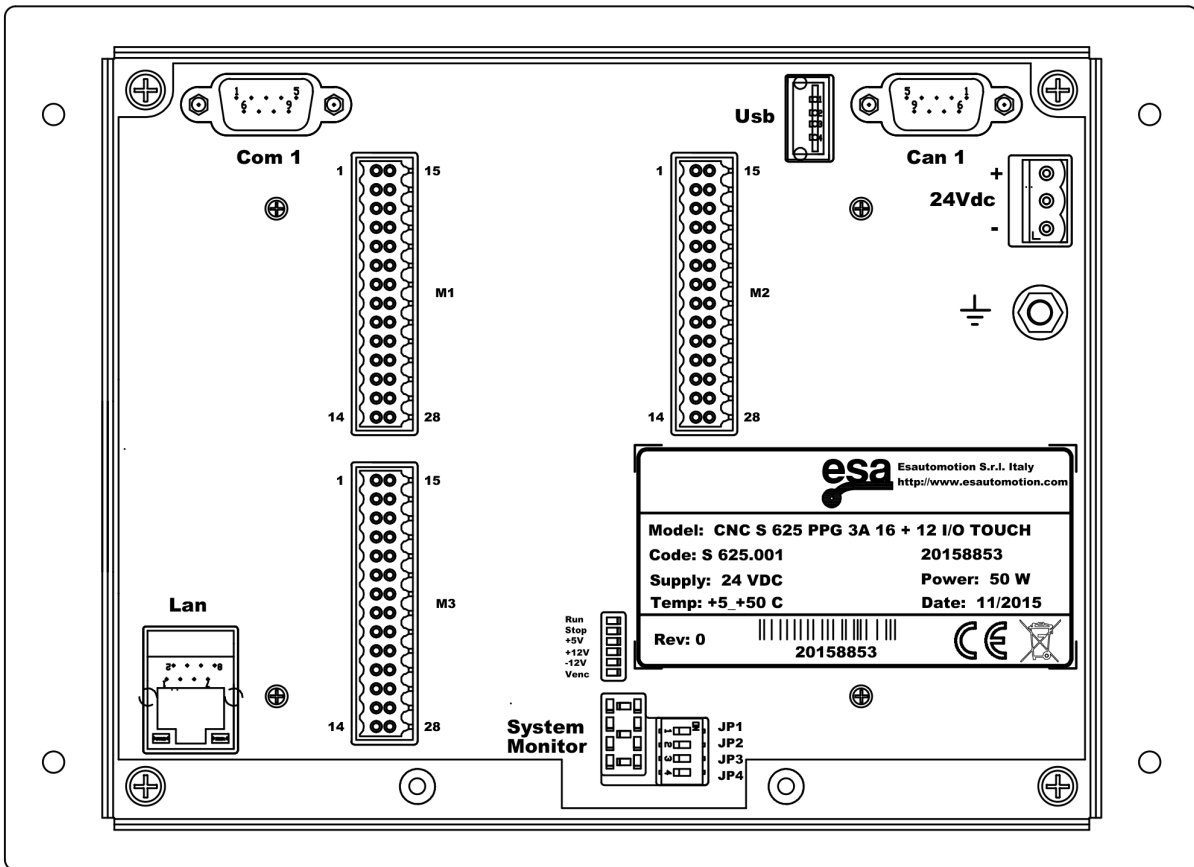
Elemento	Miniatura	Nº de pieza	Descripción	CTDAD
1.29		030-D6885A-00042	Chaveta Paralela Din6885A 28X16X90	1
1.30		020-D7991-M20X50	TORNILLO ALLEN AVELLANADO DIN7991 M20X50	1
1.31		040-RET-00015	Reten D145XD170x13	1
1.32		120-17-02-00064	Chapa anticaida Pasadores CC90	1
1.33		020-I7380-M6X12	Tornillo Allen Abombado ISO7380 M6X12	8

Electrical Cabinet

PLACE THE LABELS ON THE TOP OF THE TERMINALS.  
PLACE THE TERMINALS WITH THE OPEN SIDE TO THE LEFT.



-CONTROL1



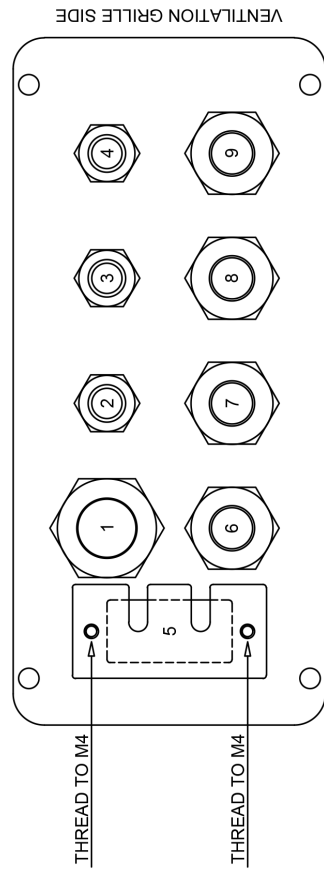
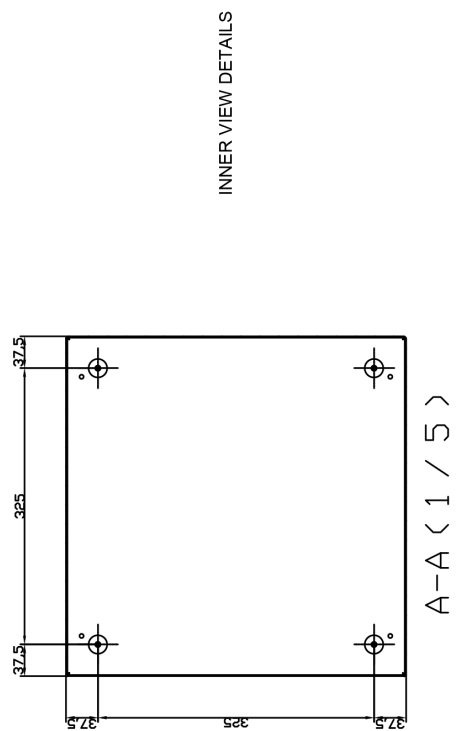
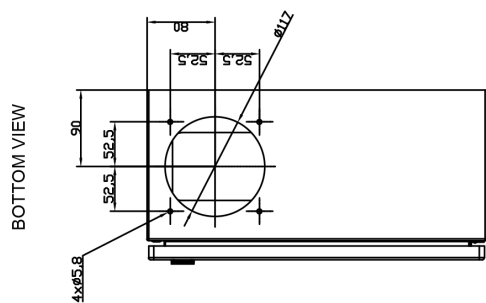
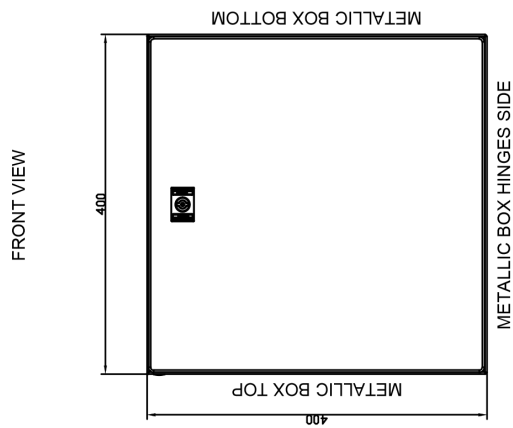
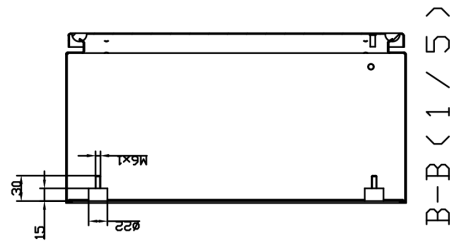
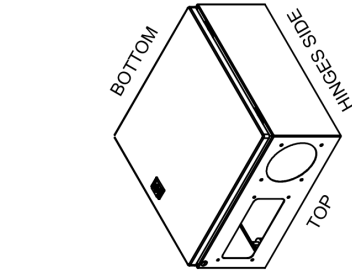
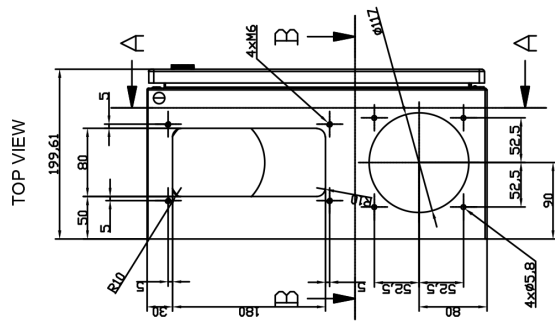
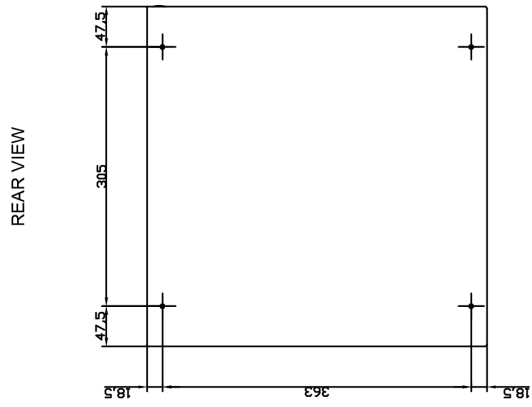
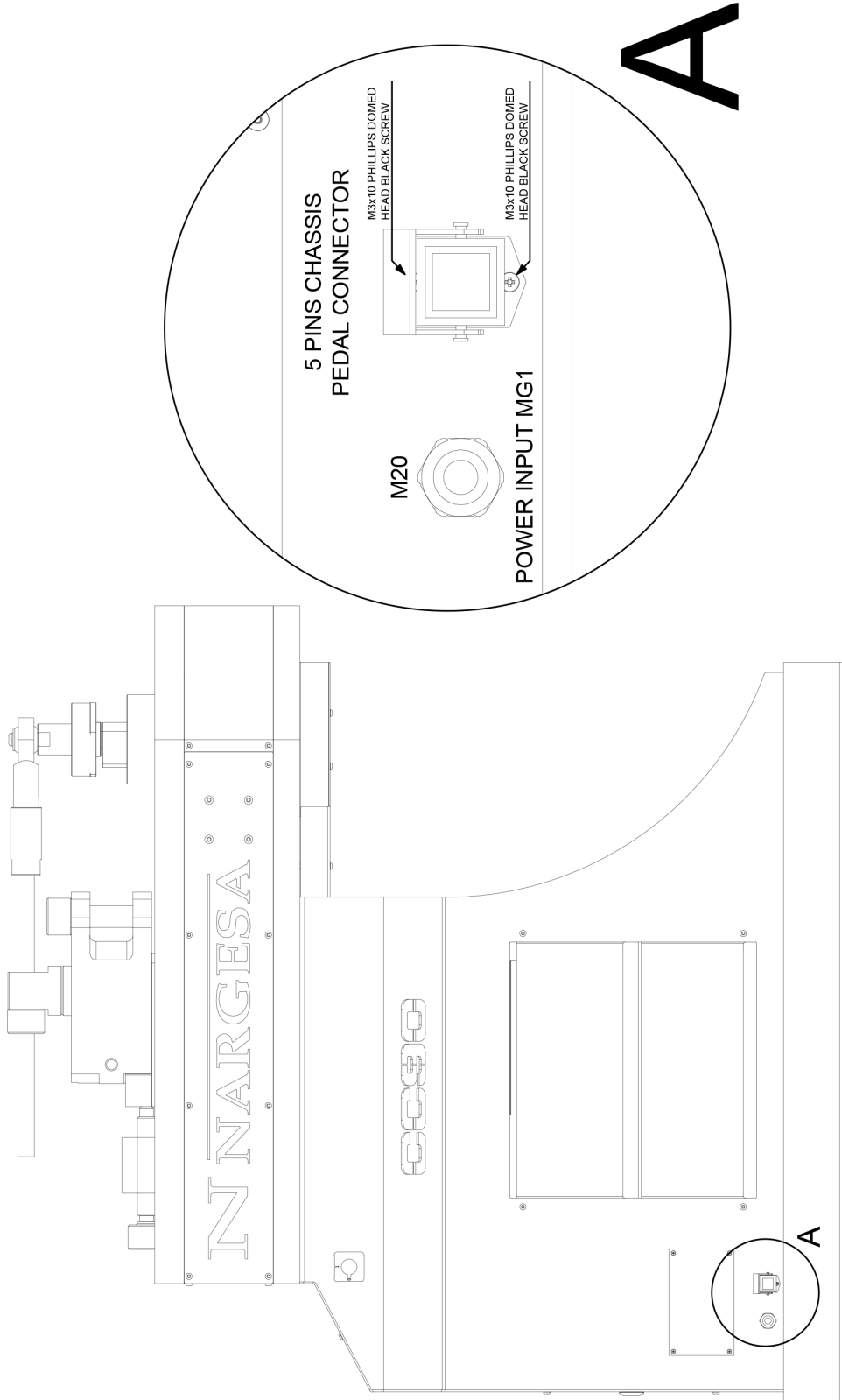
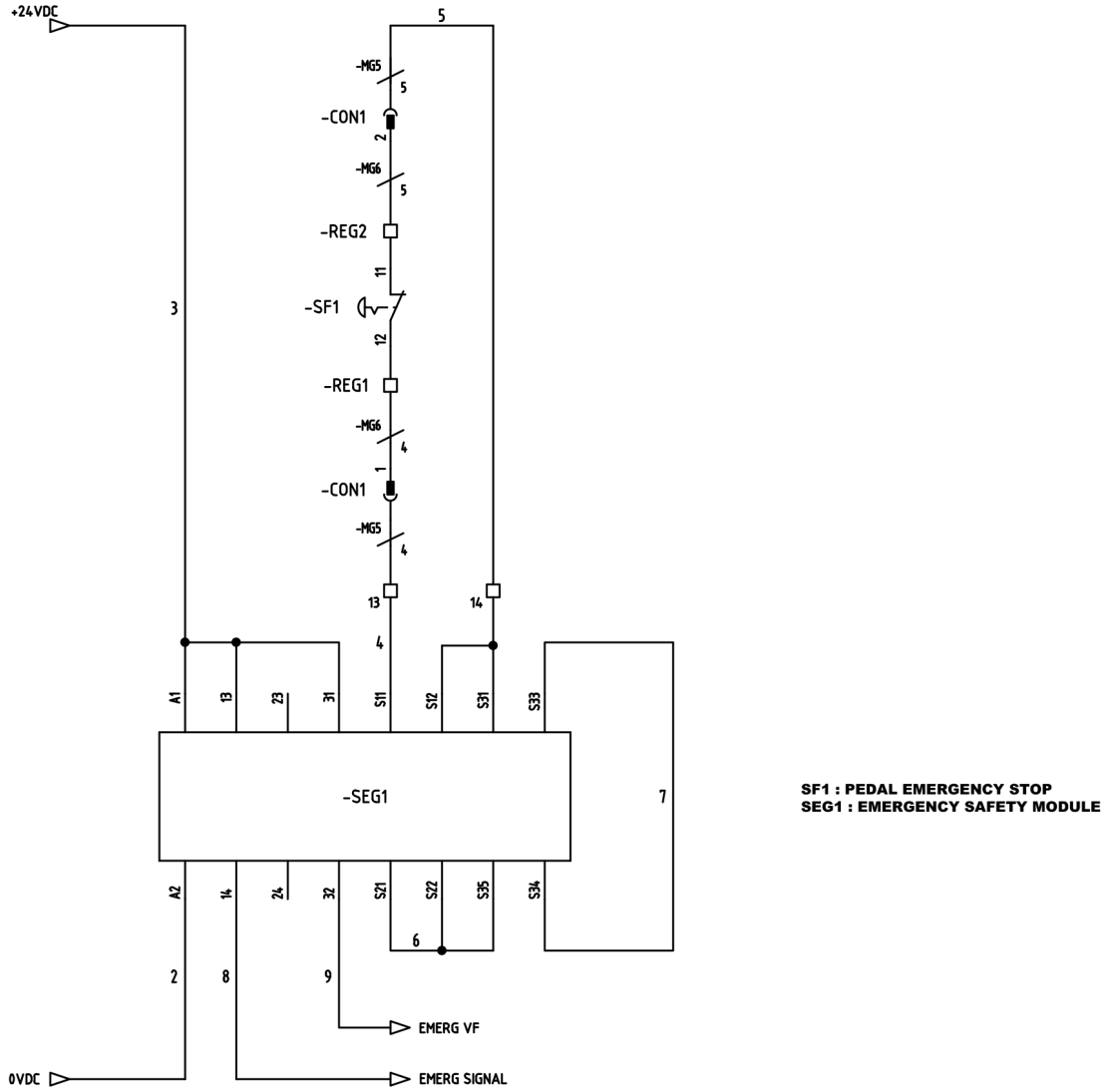


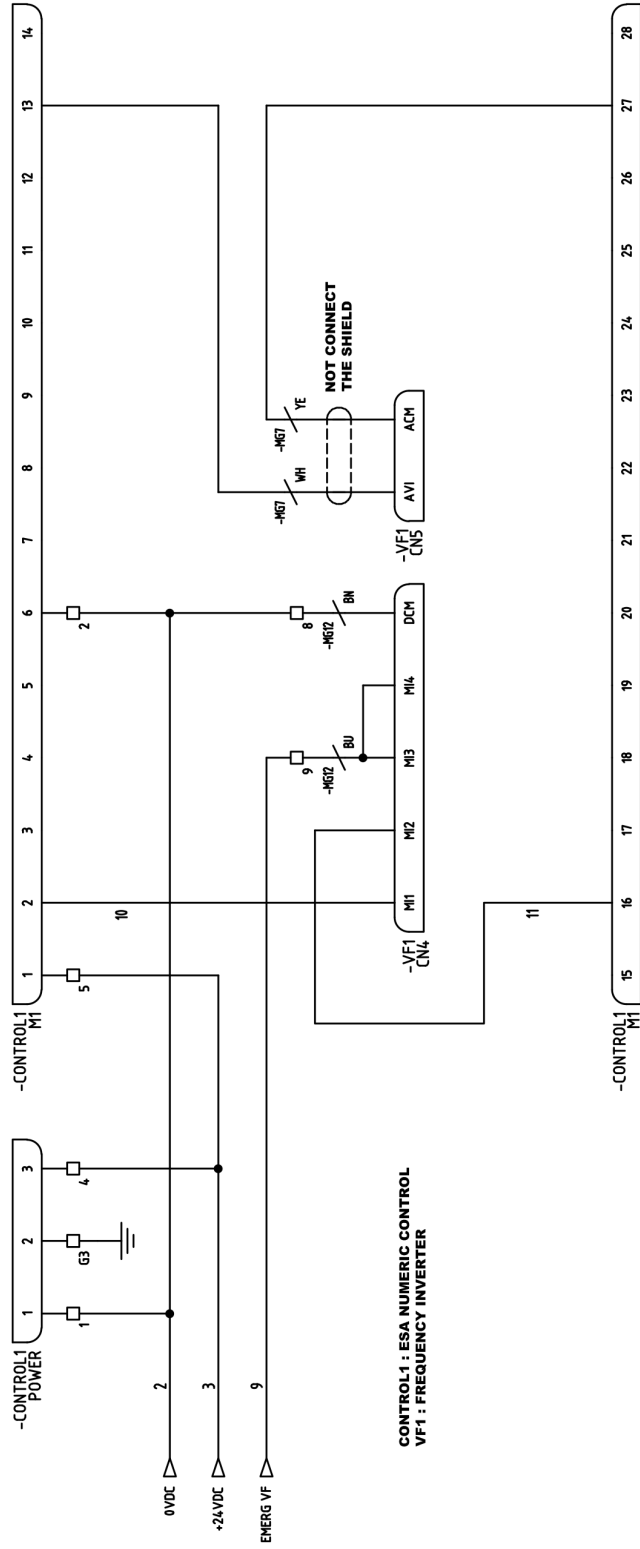
PLATE HOLE NUMBER	PLASTIC CABLE GLAND	ELECTRIC WIRE	DESCRIPTION
1	M25	MULTIPLE	MESH WITH SIGNAL WIRES
2	PG9	UNUSED	---
3	PG9	MG12	INVERTER EMERGENCY
4	PG9	UNUSED	---
5	---	MG9	ETHERNET
6	M20	MG5	PEDAL
7	M20	UNUSED	---
8	M20	MG11	INVERTER SUPPLY
9	M20	MG2	POWER INPUT AFTER MAIN SWITCH -S1



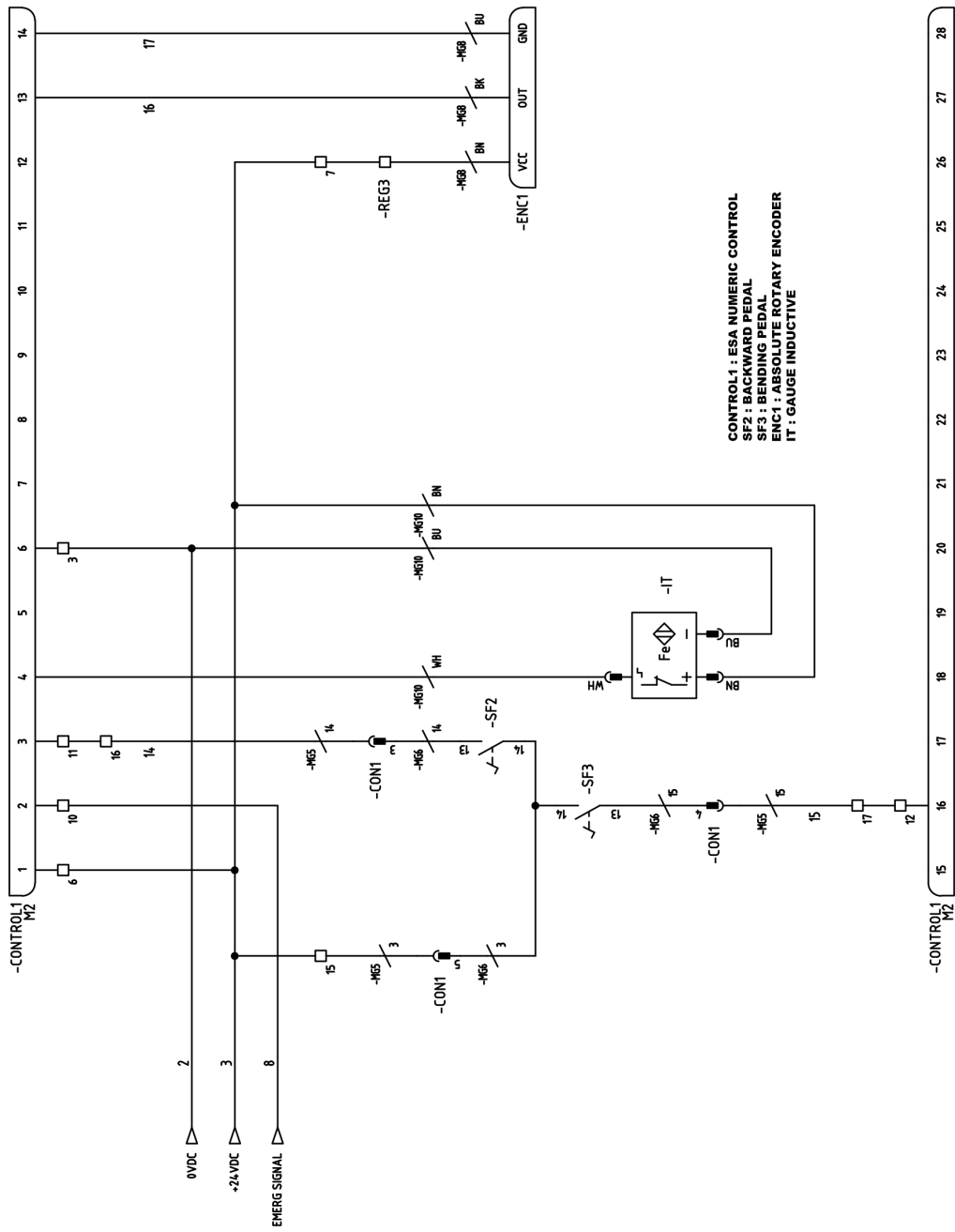


Wiring Diagrams

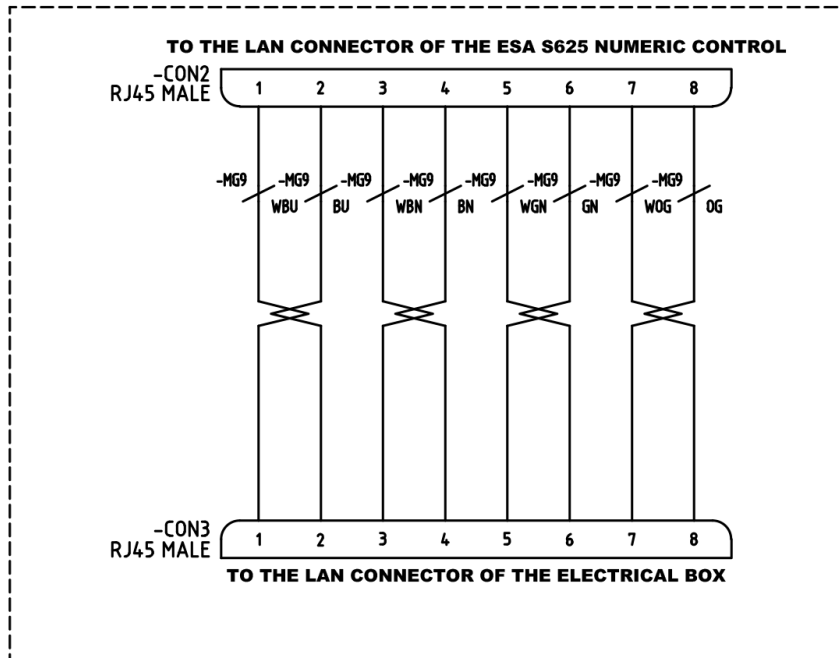




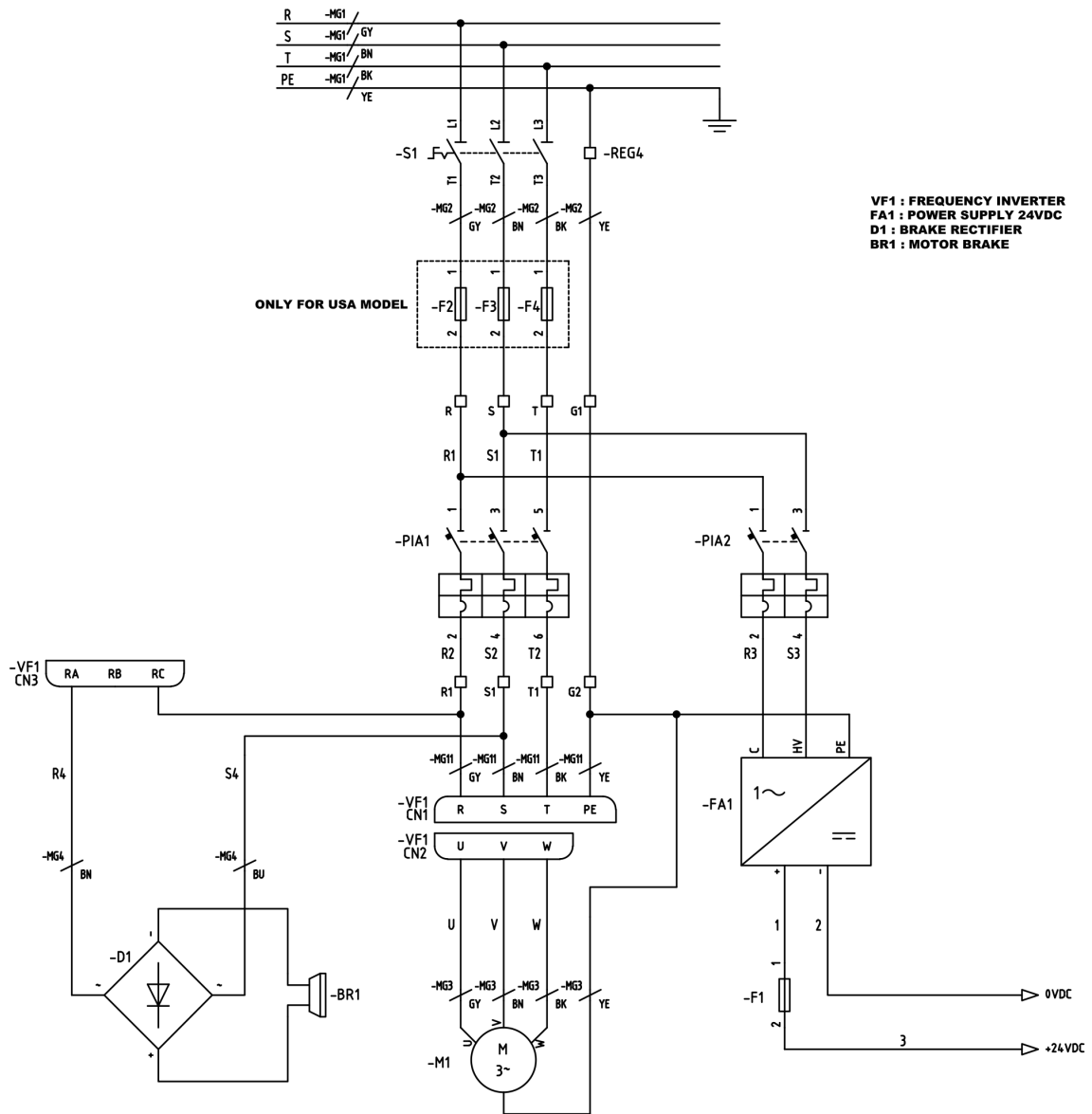




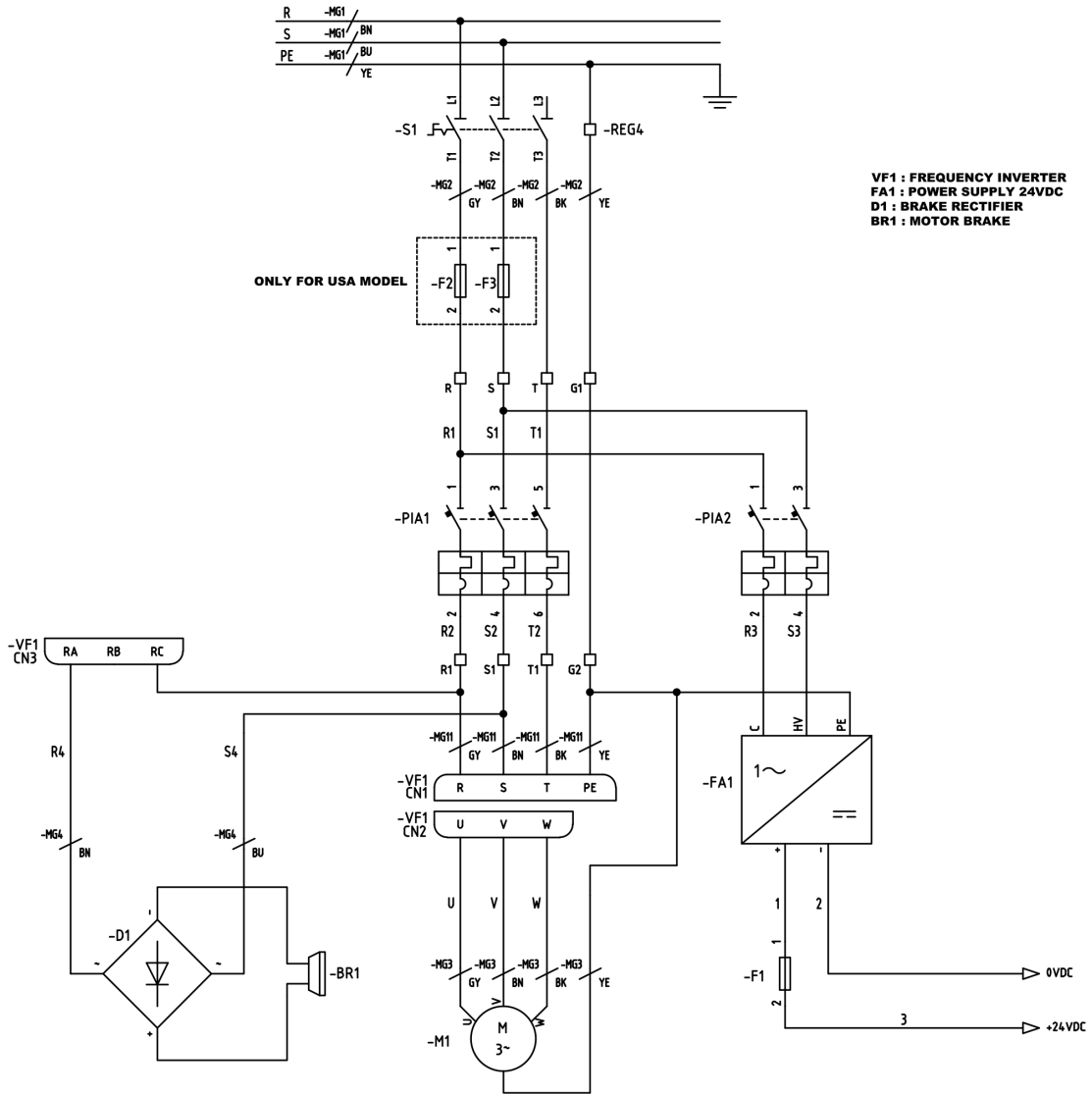
**ETHERNET EXTENSION CABLE**



Wiring Diagram · THREE PHASE MACHINE



Wiring Diagram · SINGLE PHASE MACHINE



# OUR RANGE OF MACHINERY



IRON WORKERS



SECTION BENDING



NON-MANDREL



HORIZONTAL PRESS



TWISTING/SCROLL



HYDRAULIC PRESS



HYDRAULIC SHEAR



GAS FORGES



IRON EMBOSSING



END WROUGHT IRON



BROACHING



POWER HAMMERS



HYDRAULIC FORGING PRESS