

**N NARGESA®**

## PRESSES FOR LOCKS

# PI85



**50** years  
manufacturing industrial machinery

# PRESSES FOR LOCKS

The Hydraulic Press PI85 NARGESA, is a novelty in the world of locks. It was patented by Nargesa in 2006 which makes us leaders in the manufacturing of this kinds of machines. They fit 85% of locks of all trademarks and models.

## GET A QUOTE

Please complete the following form. We'll contact you in less than 24 hours.

*Business days*

## HOW IT WORKS VIDEO

Video on how the machine works

## SOME OF OUR REMARKABLE CUSTOMERS



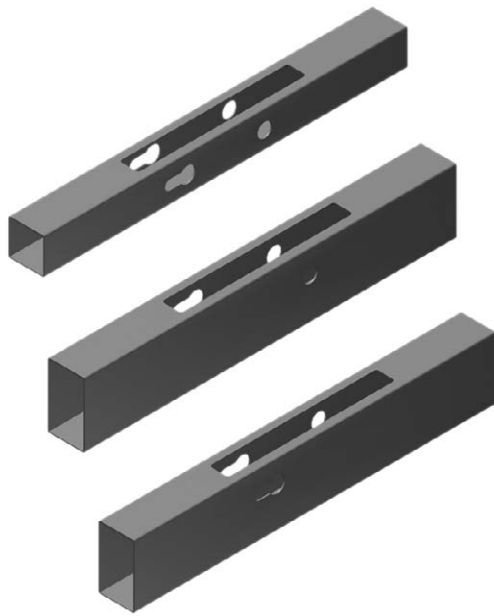
## TECHNICAL FEATURES

The Hydraulic Press PI85 NARGESA, is a novelty in the world of locks. It was patented by Nargesa in 2006 which makes us leaders in the manufacturing of this kinds of machines. They fit 85% of locks of all trademarks and models.



- > Normally, one operative has an average time between 30 - 45 minutes to make one whole operation for a casing, handle holes and the lock hole in a square or rectangular pipe. With the PI85 Nargesa the time gets reduced to less than one minute. This is a machine for high production.
- > The finish is perfect, with the proper tolerance to place the lock with no need to use a bezel. Thus the assembling time is minimum.
- > Many companies that have bought this press for locks PI85, not only for their own use but also to sell the ready-to-be-used pipes to other companies.
- > The pipes that can be used with the machine are 35x35, 40x40, 40x50, 40x60, 40x70, 40x80, 50x50, 50x60, 50x70 and 50x80.
- > Pipe thickness can be 1,5 mm and 2 mm. No matter the material, it can either punch normal steel, galvanized steel or stainless steel.
- > It's important to bear in mind the casing must be always made in the side of 35, 40 or 50 mm.
- > The perforation of the lock hole and the handle could be combined, it means we can punch a pipe with lock and handle on both ends, as we can as well make either the handle or the lock in the other.
- > The casing length is adjustable as it is as well the entrance of the lock. It ranges from 18 mm to 37 mm.

*\* All our products are manufactured in our facilities in Spain. The hydraulic and electrical components are all standard from the best leading European trademarks, with technical assistance all over the world: Rexroth, Bosch, Roquet, Schneider Electric, LG, Telemecanique, Pizzato etc...*

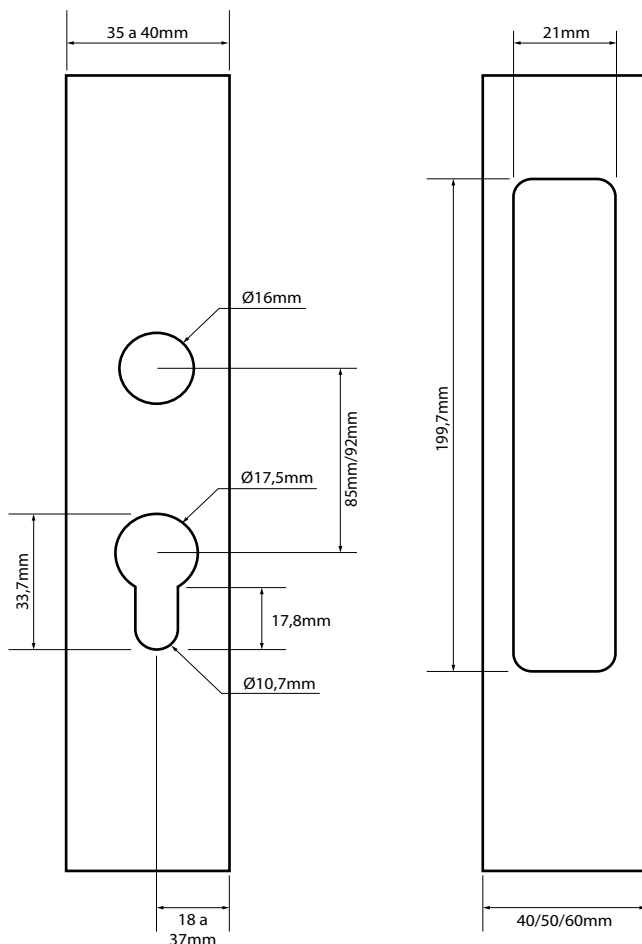


The Hydraulic Press for Locks Nargesa allows making different kinds of punching operations:

- > Punching for mechanism entrance, the lock and handle to both sides.
- > Punching for mechanism entrance, the lock and handle in only one side.
- > Punching for mechanism entrance, the lock with no handle.

> The types of punching are applicable to all the pipes the machine can work with:  
 35x35 / 40x40 / 40x50 / 40x60 / 40x70 / 40x80  
 / 50x50 / 50x60 / 50x70 / 50x80

## DIE DIMENSIONS



## EXAMPLES, BRANDS AND LOCKS

### TESA

Ref 2010B, 2211, 2240, 2241, 2230, 2231, 2236, 2237

### SERRALLER

Ref 20020, 20023, 20025, 20028, 20030, 20035

### LINCE





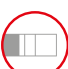






Ref 5530, 5532, 5542, 5570, 5571, 5572, 5590, 5402, 5403

### MCM

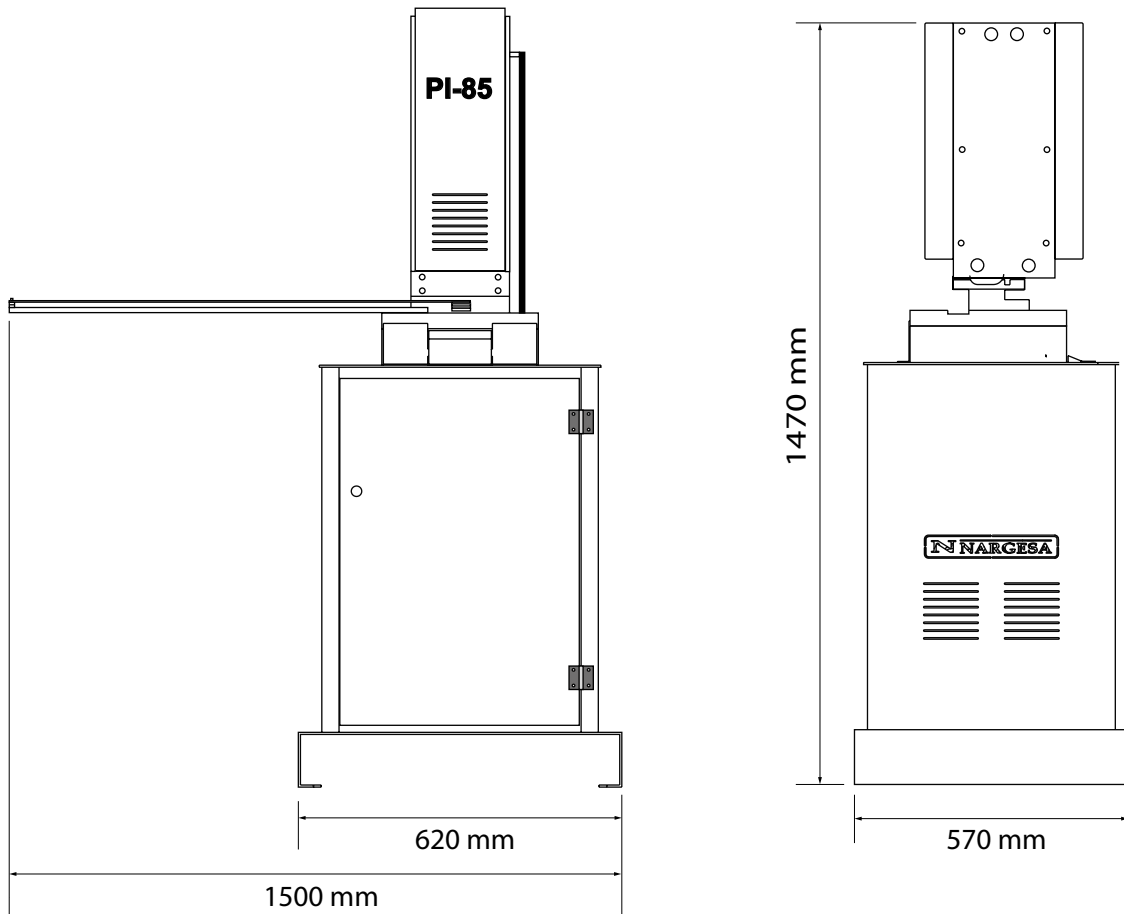
Ref 1650, 1449, 1450, 2449, 2450, 2419, 2350

*For different sizes please ask the manufacturers.*

# DETAILED CHARACTERISTICS

	<b>Operation time</b>	58 seconds (aprox.)
	<b>Type of keyhole</b>	Cylinder lock
	<b>Type of material</b>	Iron, stainless steel, galvanized.
	<b>Pipe Thickness</b>	1,5 mm and 2 mm.
	<b>Casing length.</b>	Adjustable
	<b>Lock entrance</b>	Adjustable from 18 mm to 37 mm
	<b>Distance between axis</b>	85 mm
	<b>Motor power</b>	0,75 kW / 1 CV
	<b>3-phased tension</b>	230 / 400V
	<b>Dimensions of the machine</b>	1500x570x1470 mm
	<b>Weight</b>	200 Kg

# OUTSIDE DIMENSIONS



# PACKAGING CHARACTERISTICS

- Tariff Item Code: 84623991
- Lower bench palletized to easily transport the machine to the workplace or store it in case of lacking space.
- The machine is shipped fully assembled.
- Pallet made of steel and 3 layer cardboard box suitable for seafreight.
- Optional: Fumigated wooden box NIMF15.

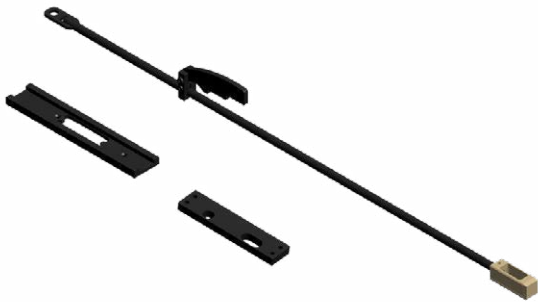
## PI85

Width	660 mm
Depth	580 mm
Height	1640 mm
Volume	0,63 m <sup>3</sup>
Net Weight	200 Kg
Gross Weight	212 Kg

# OPTIONAL ACCESSORIES

## Tooling for 35x35 pipe. Wall thickness 1,5mm

---



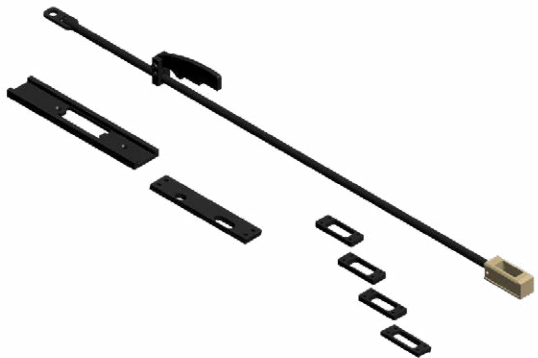
REF: 140-07-01-00001

Pipe: 35x35mm.  
Thickness: 1,5mm.  
Pieces per die: 3 Units.  
Weight: 5 kg.

*Optional Tooling.*

## Tooling for 40x40mm pipe up to 40x80mm. Wall thickness 1,5mm

---



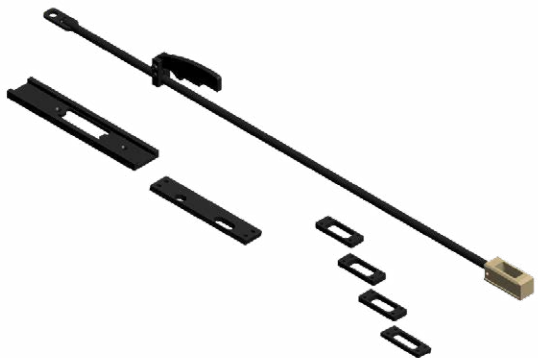
REF: 140-07-01-00003

Pipe: 40x40mm, 40x50mm, 40x60mm, 40x70mm,  
40x80mm.  
Thickness: 1,5mm  
Pieces per die: 8 Units.  
Weight: 5,3 kg.

*Optional Tooling.*

## Tooling for 40x40mm pipe up to 40x80mm. Wall thickness: 2mm

---



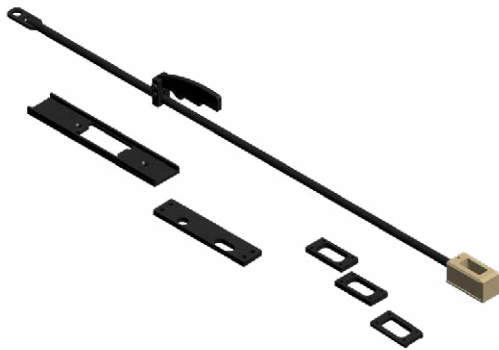
REF: 140-07-01-00004

Pipe: 40x40mm, 40x50mm, 40x60mm, 40x70mm,  
40x80mm.  
Thickness: 2mm  
Pieces per die: 8 Units.  
Weight: 5,3 kg.

*Optional Tooling.*

## Tooling for 50x50mm pipe up to 50x80mm. Wall thickness 1,5mm.

---



REF: 140-07-01-00005

Pipe: 50x50mm, 50x60mm, 50x70mm, 50x80mm.

Thickness: 1,5mm.

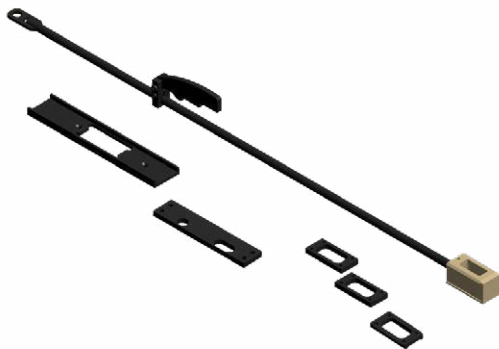
Piece per die: 7 Units.

Weight: 5,5 kg.

*Optional Tooling.*

## Tooling for 50x50mm pipe up to 50x80mm. Wall thickness 2mm.

---



REF: 140-07-01-00006

Pipe: 50x50mm, 50x60mm, 50x70mm, 50x80mm.

Thickness: 2mm.

Pieces per die: 7 Units.

Weight: 5,5 kg.

*Optional Tooling.*



# OUR RANGE OF MACHINERY



IRON WORKERS



SECTION BENDING  
MACHINES



NON-MANDREL PIPE  
BENDER



HORIZONTAL PRESS  
BRAKES



TWISTING/SCROLL  
BENDING MACHINES



HYDRAULIC PRESS  
BRAKES



HYDRAULIC SHEAR  
MACHINES



GAS FORGES



IRON EMBOSING  
MACHINES



END WROUGHT IRON  
MACHINES



BROACHING MACHINES



POWER HAMMERS



PRESSES FOR LOCKS

## WARRANTY

Nargesa machines have 3 years warranty provided that the customer registers it in our website. Otherwise it would be only one year warranty. This one encloses any manufacturing default all along these 3 years for components. Any misuse is excluded from this condition. Labor, back and forth shipping and any eventual repair, are not included in this warranty.

Partner companies



Airpharm

## SHIPMENT EVERYWHERE

Nargesa will arrange transport up to final destination, whenever the customers asks for so. There is also the possibility for the customer to arrange the shipment himself with his own agency.

## TECHNICAL ASSISTANCE

All our customers have access to technical support quickly and efficiently.

90% of incidences are solved out on the phone, mail, Skype or video-conferencing in less than 24hours. In case of needing presencial technical assistance, we may as well send a technician to the customer's facilities.

Follow us on

---

### PRADA NARGESA, S.L.

Ctra. De Garrigàs a Sant Miquel s/n  
17476 Palau de Santa Eulalia (Girona) Spain  
Tel. +34 972 568 085

[www.nargesa.com](http://www.nargesa.com)

[nargesa@nargesa.com](mailto:nargesa@nargesa.com)



---

This information might undergo changes