



# NON-MANDREL TUBE AND PIPE BENDER

## CC60 CNC

 4.0 Technology



## HOW IT WORKS VIDEO

Video on how the machine works

## GET A QUOTE

Please complete the following form. We'll contact you in less than 24 hours.

*Business days*

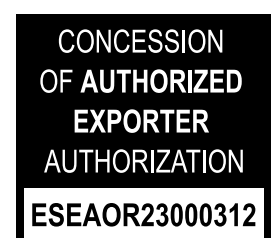
## SOME OF OUR CUSTOMERS

Our customer's endorsement is our best business card



## CERTIFICATES AND ACCREDITATIONS

Some of the certificates that support our processes and benefit our customers



# TECHNICAL SPECIFICATIONS

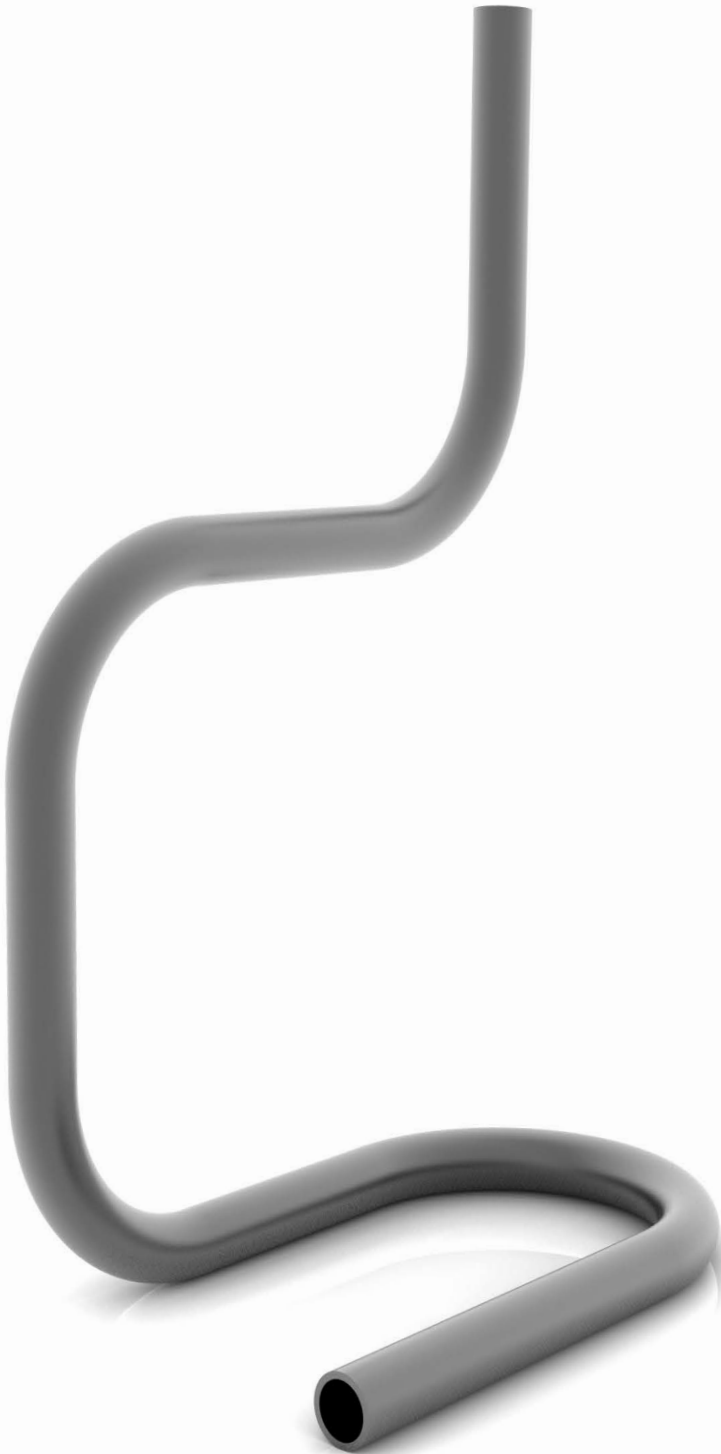
**Motor power:** 1.1 KW / 1.5 HP.

**Electrical voltage:** 230V single phase 50/60Hz

Optional voltage: 110V single phase 50/60Hz

**Intensity:** 5 A

**Machine weight:** 365 Kg / 805 lbs



> **Maximum size on S275 round steel pipe**

60.3 mm o 2" Schedule-40 o 2" 1/4 x 4 mm.

> **Maximum size on aluminium pipe**

60.3 mm x 8 mm / 2.375" x .315".

> **Maximum size on stainless steel pipe 304 / 316**

60.3 mm x 3 mm / 2.375" x .160".

> **Maximum size on square tube**

40 x 40 x 4 mm / 1.50" x 1.50" x .160".

> Maximum angle of curvature: 180°

> Minimum radius of curvature: 3 times the pipe diameter.

> Maximum radius of curvature: 320 mm.

> Repetition on the curve of +/- 0.1 degrees.

> Reinforcement tool post support arm for pipes with diameters over 40 mm included.

> 400 ml BEND 8 lubricant included.

> Two bending directions, right or left for easier bending.

> Quick die change over: Maximum 60 seconds.

> CNC control with 7" touch-screen with more than 20 different languages

> Safety pedal to the right and left.

> Side shelving to store tools.

> All bend dies are made of tempered steel for longer tool life.

> The counter dies are made of bronze alloys to help prevent markings on the outside of the bent profiles.

> Stores up to 10,000 programs.

> Up to 50 different angles on the same piece can be programmed.

> Dimensions can be programmed in inches or millimetres.

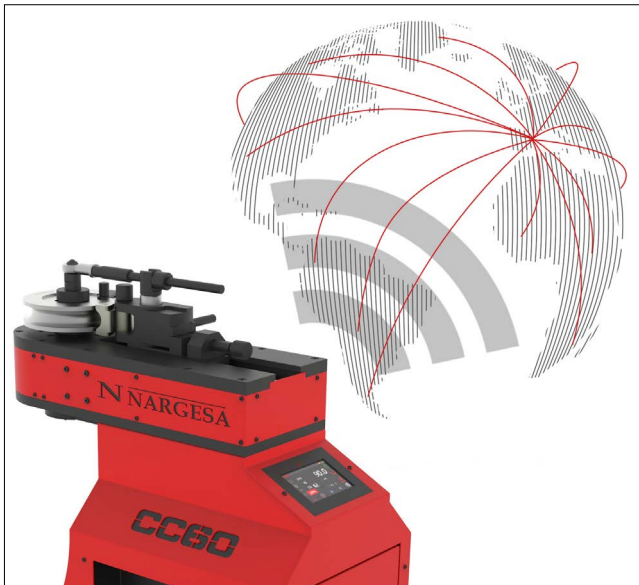
> Pivot system with automatic unlocking to help remove material.

> Automatic and programmable spring back correction.

*\* All our products are made at our facilities in Spain. The hydraulic and electronic components are completely standard and from the best leading European brands with technical assistance services throughout the world: Rexroth, Bosch, Roquet, Schneider Electric, LG, Telemecanique, Pizzato...*



# WHAT YOU SHOULD KNOW BEFORE PURCHASING A PIPE BENDER



## 4.0 Technology

The advantages of having this technology in a machine are endless, so we're only going to mention the most relevant. Whenever a customer agrees, the manufacturer may remotely connect to their machine to do any software updates completely free of cost and detect any anomalies in the machine without needing to travel to the machine site. Customers are notified when preventive maintenance must be done on the machine along with many other advantageous features.



## Robustness and speed

The weight of the machine in comparison to other brands provides an idea of how it's built. Some of our units are almost double in weight than our competitors. These are not DIY machines; they're pipe benders that can work 24 hours a day. Made of robust materials, which are tempered in areas subject to wear, and activated with a helical-cut pinion planetary gear system. The rotation speed is also something to be taken into account. It can reach 4.5 rpm for more aggressive production; in many cases, more than twice as much when compared to similar machines in today's market.



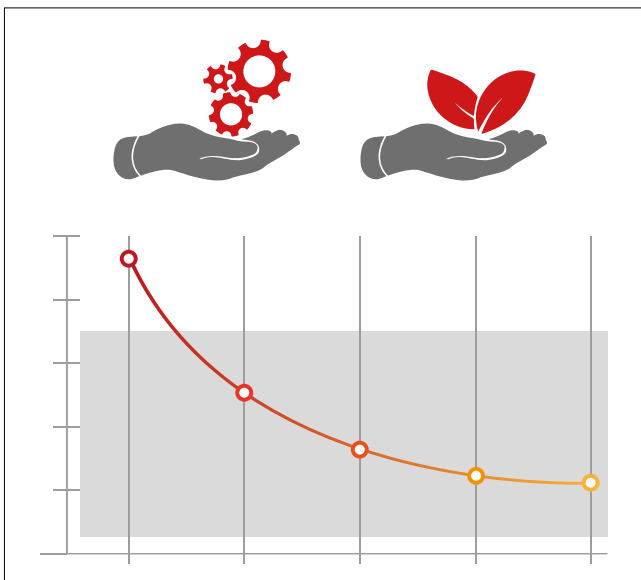
### Curve thicknesses and finishes

Most tube and pipe benders can only bend very thick-walled pipes with a 10% minimum thickness of the diameter of the pipe normally calculated. For example, a good curve on a 40 mm pipe is usually guaranteed with a 3.5 or 4 mm wall thickness. The original counter-shape designed by Nargesa guarantee a good finish even with a thin-walled pipe. The minimum thickness for a 40 mm pipe can be 1.5 or 2 mm. This significantly lowers the cost of the raw material.



### Offset head and two-directional bending

The offset head design allows for complex curves as the pipe goes underneath the head. Bending pipe below the head is not possible with some pipe bender models. The all-new CC60 and CC90 benders can curve to the right and left without needing to rotate the die, meaning any piece can be bent regardless its complexity.



### Enhanced energy efficiency

The CC60 elbow bender can be connected to 110 V or 220 V single phase voltage so it can be taken to a work site, if necessary, and be connected to a simple outlet. The consumption per machine working stroke has been significantly reduced to save energy. Only 1.1 Kw with a working stroke of up to 60.3 mm.



### Automatic unlocking

The bending carriage moves automatically to the right or to the left depending on the direction of the curve to more easily release the piece without needing to re-adjust the grip. This original system can complete pieces in much less time.



### Reinforcement tool post support included

The CC60 CNC pipe bender comes standard with a reinforcement arm. It's used to prevent machine chassis deformations. The Control indicates when this device is required or not required.



### Bend 8 Lubricant included

With the purchase of the CC60 CNC pipe bender, you'll receive a 400 ml bottle of special bending lubricant: for a better finish on the outside of the curve, to prevent roughness and inner corrugation and reduce wear on the counter-shape die. Ideal for thin tubes and pipes. Lubricates to reduce friction. Prevents and dissolves corrosion. Polishes and protects. Cleans and removes dirt.



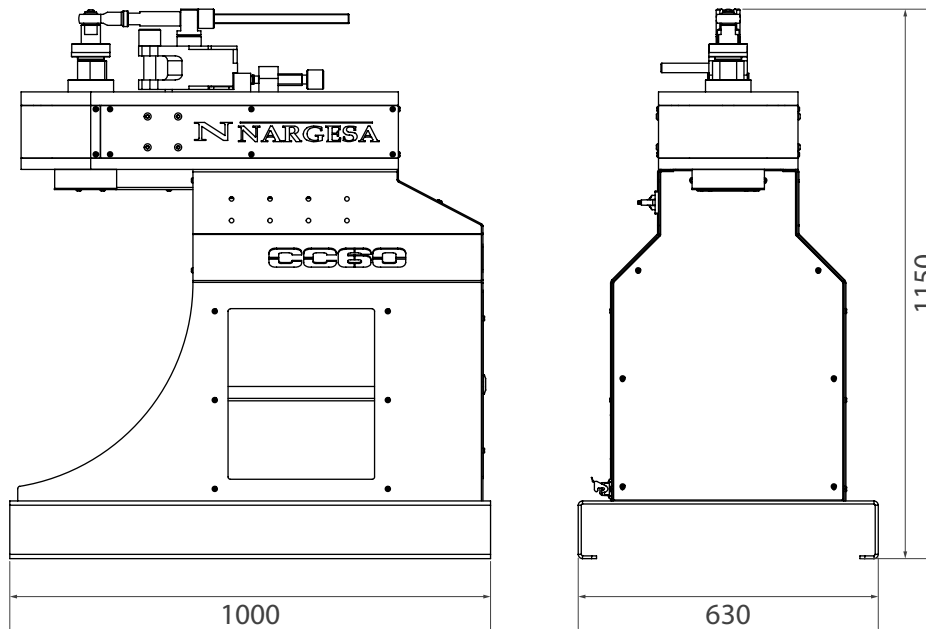


## ESA S625 CONTROL PANEL

Nargesa tube and pipes benders are controlled with a very intuitive and easy-to-use 7" colour touch-screen with the latest 4.0 technology. Just enter the pipe dimensions, thickness, angle of the curve or curves and choose a die from the library and the control programs the rest of the parameters automatically; elastic recovery correction (springback), recommended rotation speed, whether a tool post support is necessary or not, and if the intended curve is possible... All of this may be modified by the end user based on their own needs. These are some of the most relevant features of this control system.

- > Stores up to 10,000 programs.
- > Up to 50 different angles on the same piece can be programmed.
- > Dimensions may be programmed in inches or millimetres.
- > A library of available dies with the possibility of programming new ones.
- > A library of differently shaped pipes with varying thicknesses.
- > The CNC can be supplied in more than 20 different languages.
- > Automatic or manual rotation speed adjustment from 0.7 to 4.5 rpm.
- > Manual or automatic operation.
- > Automatic elastic recovery correction (springback).
- > Piece counter.
- > Independent correction of the programmable final curve degree.
- > 4.0 Technology.
- > On-screen alarm diagnostics.
- > Preventive maintenance warning.
- > Can be remotely connected by the manufacturer without having to travel to the machine site.
- > Warning on screen if the tool post support needs to be used.
- > 7" colour touch-screen with 800 x 480 resolution.
- > 128 MB silicon disk.
- > 2 analogue inputs, 12 bit resolution.
- > 16 digital inputs (24 Vdc).
- > 16 digital outputs (24 Vcc, 0.7 A max.) Protected against overloads and short circuits.
- > 1 RS232 serial port.
- > 1 CAN port with 9 D-Sub F connector contacts.
- > 24 Vdc power source.
- > 1 USB port.

# OUTSIDE DIMENSIONS |



## PACKAGING CHARACTERISTICS

**Tariff Code:** 84622910

- A lower pallet bench to transport the machine to the work site or storage.
- The CC60 pipe bender is sent completely assembled.
- An wooden pallet and 3-layer cardboard box suitable for seafreight.
- Optional: NIMF15 wooden container.

## CC60 CNC

Width	730 mm
Depth	1100 mm
Height	1320 mm
Volume	1.06 m <sup>3</sup>
Net Weight	365 Kg
Gross Weight	390 Kg



# STANDARD ACCESSORIES SUPPLIED WITH THE MACHINE

## BEND8 aerosol lubricant



The CC60 pipe bender comes with a 400 ml bottle of BEND8 lubricant.

Formats available for this product:

REF. 060-SPR-00003 400 ml bottle.

REF. 060-SPR-00004 Box of 12 400 ml bottles.

**Tariff Item Code:** 27101999

This is a high-additive and low-viscosity aerosol oil. Contains PTFE.  
Does not contain silicone.

- > Enables the finish on the outer bend.
- > Inhibits roughness and inner marks.
- > Reduces wear of the tooling.
- > Especially designed for tubes of small thickness.
- > Lubricates to reduce friction.
- > Avoids and dissolves corrosion.
- > Gives shine and protects.
- > Cleans up and removes dirt.

## OPTIONAL ACCESSORIES

Customers must equip their pipe bender with a specific die to get the desired curving.

The diameter and thickness of the pipe as well as the radius of curvature must be taken into account when choosing a roller.

### Characteristics of the elements:

**Main Roller** made of highly resistant steel which has been thermally hardened with carbonitriding for 50-54 HRC hardness; this roller guide perfectly adapts to the pipe for excellent results.

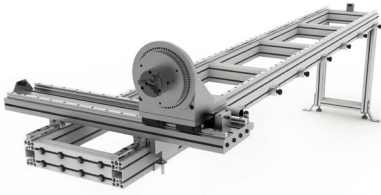
**Counter-shape** designed by the Nargesa R+D department which reduces friction and ensures optimal curving. It's made of a highly resistant aluminium bronze alloy and mechanized in 3D.

**Clamp with a fastener** to firmly secure the material during the bending process.

**Support holder** made of highly resistant steel which has been thermally treated with carbonitriding for 50-54 HRC hardness; this roller reduces the surface of contact with the counter-shape and, therefore, reduces friction.

## CC60 2-axis positioning gauge

---



The gauge of the CC60 allows to make mass produced parts, much faster, more accurate and repetitively.

- > Adjustable longitudinal positioning with 6 positions.
- > Angular head rotation every 5 degrees.
- > Four-clamp plate adjustable to round and square tube.
- > Longitudinal movement with high precision linear guides.
- > Automatic anti-collision control.
- > Easy handling and preparation for difficult parts.

**REF:** 140-17-01-50000

**Gauge length:** 3000mm.

**Maximum capacity:** 60,3mm, 2" Schedule.

**Weight:** 110 Kg.

### Characteristics of the packaging

**N° Pallets:** 1.

**Width:** 3130 mm.

**Length:** 980 mm.

**Height:** 660 mm.

**Volume:** 2,03 m<sup>3</sup>

**Nett weight:** 110 Kg.

**Gross Weight:** 160 Kg

### VIDEO

*Positioning gauge instructions book*

### Other features:

- > The stopper of the CC60 pipe bender is shipped fully assembled, it will only be necessary to place the legs and fix it to the ground.
- > Wooden pallet and 3-layer wooden and cardboard box suitable for sea transport.
- > **Optional:** Complete wooden packaging NIMF15.

*Positioning gauge instructions book*

## Accessories for round pipes in millimetres · 12 to 60 mm



Rollers made of treated Steel. Units suitable for bending all types of round pipes 12 to 60 millimetres.

The following is supplied with the unit: A main roller, a counter-shape, a clamp with a fastener.

*Check with the manufacturer for other dimensions.*

Ø Ext.	Radius	Min. thickness	Max. thickness	Weight
<b>Set diameter 12mm Radius 60</b>				<b>REF: 140-17-01-10012</b>
12 mm	60 mm	1 mm	5 mm	3,26 Kg
<b>Set diameter 15mm Radius 60</b>				<b>REF: 140-17-01-10001</b>
15 mm	4D=60 mm	1 mm	5 mm	3,18 Kg
<b>Set diameter 18mm Radius 60</b>				<b>REF: 140-17-01-10010</b>
18 mm	60 mm	1 mm	5 mm	3,11 Kg
<b>Set diameter 20mm Radius 60</b>				<b>REF: 140-17-01-10002</b>
20 mm	3D=60 mm	1 mm	5 mm	3,22 Kg
<b>Set diameter 22mm Radius 66</b>				<b>REF: 140-17-01-10014</b>
22 mm	3D=66 mm	1 mm	5 mm	4,10 Kg
<b>Set diameter 25mm Radius 75</b>				<b>REF: 140-17-01-10003</b>
25 mm	3D=75 mm	1,2 mm	5 mm	5,55 Kg
<b>Set diameter 28mm Radius 84</b>				<b>REF: 140-17-01-10011</b>
28 mm	3D=84 mm	1,2 mm	5 mm	7,28 Kg
<b>Set diameter 30mm Radius 90</b>				<b>REF: 140-17-01-10004</b>
30 mm	3D=90 mm	1,2 mm	5 mm	8,29 Kg
<b>Set diameter 32mm Radius 98</b>				<b>REF: 140-17-01-10013</b>
32 mm	3D=98 mm	1,5 mm	5 mm	10,16 Kg
<b>Set diameter 35mm Radius 105</b>				<b>REF: 140-17-01-10005</b>
35 mm	3D=105 mm	1,5 mm	5 mm	12,14 Kg
<b>Set diameter 40mm Radius 120</b>				<b>REF: 140-17-01-10006</b>
40 mm	3D=120 mm	1,5 mm	5 mm	17,11 Kg
<b>Set diameter 50mm Radius 150</b>				<b>REF: 140-17-01-10007</b>
50 mm	3D=150 mm	2 mm	5 mm	31,41 Kg
<b>Set diameter 60mm Radius 180</b>				<b>REF: 140-17-01-10008</b>
60 mm	3D=180 mm	2 mm	2,5 mm	40,88 Kg

## Accessories for 60mm round pipes



Rollers made of treated steel. Suitable kit to bend 60mm tube of 3mm wall thickness or thicker.

The following is supplied with the unit: A main roller, a clamp with a fastener, a support holder.

*Check with the manufacturer for other dimensions.*

*Supporting Roller Kit REF: 140-17-01-00002 is required.*

Ø Ext.	Radius	Min. thickness	Max. thickness	Weight
Set diameter 60mm Radius 180 with support holder				REF: 140-17-01-10009
60 mm	3D=180 mm	3mm	4 mm	40,58 Kg

\* The walls with more thickness to the established one and the materials with more resistance, reduce the capacities of the machine.

## Accessories for round pipes · 3/8" to 1" 1/2 Schedule



Rollers made of treated Steel. Units suitable for bending all types of round pipes 3/8" to 1" 1/2 Schedule.

The following is supplied with the unit: A main roller, a counter-shape, a clamp with a fastener.

*Check with the manufacturer for other dimensions.*

Ø Ext.	Ø Ext.	Radius	SCH10	SCH40	SCH80	SCH160	Weight
<b>Set diameter 17,10mm Radius 60mm Diameter 3/8" Schedule</b>							<b>REF: 140-17-01-20001</b>
3/8"	17,1 mm	60 mm	1,65 mm	2,31 mm	3,20 mm	--	4,22 Kg
<b>Set diameter 21,30mm Radius 63,9mm Diameter 1/2" Schedule</b>							<b>REF: 140-17-01-20002</b>
1/2"	21,3 mm	3D=63,9 mm	2,11 mm	2,77 mm	3,73 mm	4,78 mm	3,56 Kg
<b>Set diameter 26,70mm Radius 80,1mm Diameter 3/4" Schedule</b>							<b>REF: 140-17-01-20003</b>
3/4"	26,7 mm	3D=80,1 mm	2,11 mm	2,87 mm	3,91 mm	5,56 mm	6,74 Kg
<b>Set diameter 33,70mm Radius 101,1mm Diameter 1" Schedule</b>							<b>REF: 140-17-01-20004</b>
1"	33,7 mm	3D=101,1 mm	2,77 mm	3,38 mm	4,55 mm	6,35 mm	11,18 Kg
<b>Set diameter 42,40mm Radius 127,2mm Diameter 1" 1/4 Schedule</b>							<b>REF: 140-17-01-20005</b>
1" 1/4	42,4 mm	3D=127,2 mm	2,77 mm	3,56 mm	4,85 mm	6,35 mm	18,86 Kg
<b>Set diameter 48,30mm Radius 144,9mm Diameter 1" 1/2 Schedule</b>							<b>REF: 140-17-01-20006</b>
1" 1/2	48,3 mm	3D=144,9 mm	2,77 mm	3,68 mm	5,08 mm	--	27,05 Kg

## Accessories for round pipes in 2" Schedule



Rollers made of treated steel. Suitable kit to bend 2" tube of 2,77mm wall thickness or thicker.

The following is supplied with the unit: A main roller, a clamp with a fastener, a support holder.

*Check with the manufacturer for other dimensions.*

*Supporting Roller Kit REF: 140-17-01-00002 is required.*

Ø Ext.	Ø Ext.	Radius	SCH10	SCH40	SCH80	SCH160	Weight
<b>Set diameter 60,3mm Radius 180,9mm Diameter 2" Schedule</b>							<b>REF: 140-17-01-20007</b>
2"	60,3 mm	3D=180,9 mm	2,77 mm	3,91 mm	--	--	45,75 Kg

\* All capacities are based on the norm of carbon steel tubes according to ASTM, Standard A-53 grade A with a maximum resistance strength of 330MPa. The walls with more thickness to the established one and the materials with more resistance, reduce the capacities of the machine. Check with your material supplier for the specifications of this one.

## Accessories for round tubes in inches · 1/2" to 2" 1/4 inches



Rollers made of treated Steel. Units suitable for bending all types of round pipes 1/2" to 2" 1/4 inches.

The following is supplied with the unit: A main roller, a counter-shape, a clamp with a fastener.

*Check with the manufacturer for other dimensions.*

Ø Ext.	Ø Ext.	Radius	Min. thickness	Max. thickness	Weight
<b>Set diameter 9,52mm Radius 60mm Diameter 3/8" inches</b>					<b>REF: 140-17-01-30012</b>
3/8"	9,52 mm	60 mm	1 mm	4 mm	3,40 Kg
<b>Set diameter 12,7mm Radius 60mm Diameter 1/2" inches</b>					<b>REF: 140-17-01-30011</b>
1/2"	12,7 mm	60 mm	1 mm	4 mm	3,37 Kg
<b>Set diameter 15,88mm Radius 60mm Diameter 5/8" inches</b>					<b>REF: 140-17-01-30001</b>
5/8"	15,88 mm	60 mm	1 mm	4 mm	3,61 Kg
<b>Set diameter 19,05mm Radius 60mm Diameter 3/4" inches</b>					<b>REF: 140-17-01-30002</b>
3/4"	19,05 mm	60 mm	1 mm	4 mm	2,79 Kg
<b>Set diameter 22,22mm Radius 66mm Diameter 7/8" inches</b>					<b>REF: 140-17-01-10014</b>
7/8"	22,22 mm	66 mm	1 mm	5 mm	4,10 Kg
<b>Set diameter 25,40mm Radius 76,20mm Diameter 1" inches</b>					<b>REF: 140-17-01-30003</b>
1"	25,40 mm	3D=76,2 mm	1,2 mm	5 mm	5,72 Kg
<b>Set diameter 28,57mm Radius 85,7mm Diameter 1" 1/8 inches</b>					<b>REF: 140-17-01-30009</b>
1" 1/8	28,57 mm	3D=85,7 mm	1,5 mm	5 mm	7,70 Kg
<b>Set diameter 31,75mm Radius 95,25mm Diameter 1" 1/4 inches</b>					<b>REF: 140-17-01-30004</b>
1" 1/4	31,75 mm	3D=95,25 mm	1,5 mm	6 mm	10,21 Kg
<b>Set diameter 38,10mm Radius 114,30mm Diameter 1" 1/2 inches</b>					<b>REF: 140-17-01-30005</b>
1" 1/2	38,10 mm	3D=114,3 mm	1,5 mm	7 mm	15,69 Kg
<b>Set diameter 44,45mm Radius 133,35mm Diameter 1" 3/4 inches</b>					<b>REF: 140-17-01-30010</b>
1" 3/4	44,45 mm	3D=133,35 mm	2 mm	5 mm	21,86 Kg
<b>Set diameter 50,8mm Radius 152,4mm Diameter 2" inches</b>					<b>REF: 140-17-01-30006</b>
2"	50,80 mm	3D=152,4 mm	2 mm	5 mm	32,24 Kg
<b>Set diameter 57,15mm Radius 171,45mm Diameter 2" 1/4 inches</b>					<b>REF: 140-17-01-30007</b>
2" 1/4	57,15 mm	3D=171,45 mm	2 mm	2,5 mm	36,13 Kg



## Accessories for 2" 1/4 inches round tube



Rollers made of treated Steel. Suitable kit to bend 2" 1/4 tube of 3mm wall thickness or thicker.

The following is supplied with the unit: A main roller, a clamp with a fastener, a support holder.

*Check with the manufacturer for other dimensions.*

*Supporting Roller Kit REF: 140-17-01-00002 is required.*

Ø Ext.	Ø Ext.	Radius	Min. thickness	Max. thickness	Weight
Set diameter 57,15mm	Radius 171,45mm	Diameter 2" 1/4 with support holder		REF: 140-17-01-30008	
2" 1/4	57,15 mm	3D=171,45 mm	3 mm	4 mm	35,91 Kg

\* The walls with more thickness to the established one and the materials with more resistance, reduce the capacities of the machine.

## Supporting Roller Kit CC60



**REF:** 140-17-01-00002

The CC60 Supporting Roller Kit is used to bend pipes with a diameter equal to or more than 60 mm, 2" 1/4 or 2" Schedule x 3mm.

This unit is comprised of a roller holder and the coupling axis

**Weight:** 9,85 Kg.

## Accessories for square pipes in millimetres · 20 to 40 mm



Rollers made of treated Steel. Units suitable for bending all types of square pipes 20 to 40 millimetres.

The following is supplied with the unit: A main roller, a counter-shape, a clamp with a fastener.

*Check with the manufacturer for other dimensions.*

Section	Radius	Min. thickness	Max. thickness	Weight
<b>Square Tube Die Set 20mm Radius 100mm</b>				REF: 140-17-01-10101
20x20 mm	5D=100 mm	1,5 mm	4 mm	11,1 Kg
<b>Square Tube Die Set 25mm Radius 115mm</b>				REF: 140-17-01-10102
25x25 mm	115 mm	2 mm	4 mm	14,75 Kg
<b>Square Tube Die Set 30mm Radius 135mm</b>				REF: 140-17-01-10103
30x30 mm	135 mm	2 mm	4 mm	22 Kg
<b>Square Tube Die Set 40mm Radius 165mm</b>				REF: 140-17-01-10104
40x40 mm	165 mm	2 mm	5 mm	34,15 Kg

## Accessories for square pipes in inches · 3/4" to 1" 1/2 inches



Rollers made of treated Steel. Units suitable for bending all types of square pipes 3/4" to 1" 1/2 inches.

The following is supplied with the unit: A main roller, a counter-shape, a clamp with a fastener.

*Check with the manufacturer for other dimensions.*

Section	Section	Radius	Radius	Min. thick.	Max. thick.	Weight
<b>Square Tube Die Set 3/4" (19,05mm) Radius 4" (101,6mm)</b>						REF: 140-17-01-30101
3/4"x3/4"	19,05x19,05mm	4"	101,6mm	1,5 mm	4 mm	11,5 Kg
<b>Square Tube Die Set 1" (25,4mm) Radius 4,5" (114,3mm)</b>						REF: 140-17-01-30102
1"x1"	25,4x25,4mm	4" 1/2	114,3mm	2 mm	4 mm	14,6 Kg
<b>Square Tube Die Set 1" 1/4 (31,75mm) Radius 5,5" (139,7mm)</b>						REF: 140-17-01-30103
1" 1/4x1" 1/4	31,75x31,75mm	5" 1/2	139,7mm	2 mm	4 mm	23,3 Kg
<b>Square Tube Die Set 1" 1/2 (38,1mm) Radius 6,5" (165,1mm)</b>						REF: 140-17-01-30104
1" 1/2x1" 1/2	38,1x38,1mm	6" 1/2	165,1mm	2 mm	5 mm	34,6 Kg

## CC60

**Maximum working stroke:** 60,3mm o 2" Schedule-40 o 2" 1/4 x 4mm.

**Maximum radius of curvature:** 320 mm or 12,60".

CNC control with 7" touch-screen included.

4.0 Technology.

Automatic rotation speed from 1.1 up 1.5 rpm.

Automatic unlocking.

Automatic and programmable springback.

Offset head for complex parts.

Reinforcement tool post support included.

Packaging included.



## CC90

**Maximum working stroke:** 90mm o 3" Schedule-40 o 3" 1/2 x 6mm.

**Maximum radius of curvature:** 346 mm or 13.62".

CNC control with 7" touch-screen included.

4.0 Technology.

Automatic rotation speed from 0.75 up 2.2 rpm.

Automatic unlocking.

Automatic and programmable springback.

Offset head for complex parts.

Reinforcement strap included.

Packaging included.



# OUR RANGE OF MACHINERY



IRON WORKERS



SECTION BENDING  
MACHINES



NON-MANDREL PIPE  
BENDER



HORIZONTAL PRESS  
BRAKES



TWISTING/SCROLL  
BENDING MACHINES



HYDRAULIC PRESS  
BRAKES



HYDRAULIC SHEAR  
MACHINES



GAS FORGES



IRON EMBOSSING  
MACHINES



END WROUGHT IRON  
MACHINES



BROACHING MACHINES



POWER HAMMERS



PRESSES FOR LOCKS

## WARRANTY

Nargesa machines have 3 years warranty provided that the customer registers it in our website. Otherwise it would be only one year warranty. This one encloses any manufacturing default all along these 3 years for components. Any misuse is excluded from this condition. Labor, back and forth shipping and any eventual repair, are not included in this warranty.

Partner companies



## SHIPMENT EVERYWHERE

Nargesa will arrange transport up to final destination, whenever the customers asks for so. There is also the possibility for the customer to arrange the shipment himself with his own agency.

## TECHNICAL ASSISTANCE

All our customers have access to technical support quickly and efficiently. 90% of incidences are solved out on the phone, mail, Skype or videoconferencing in less than 24hours. In case of needing presencial technical assistance, we may as well send a technician to the customer's facilities.

Follow us on

---

### PRADA NARGESA, S.L.

Ctra. De Garrigàs a Sant Miquel s/n  
17476 Palau de Santa Eulalia (Girona) Spain  
Tel. +34 972 568 085

[www.nargesa.com](http://www.nargesa.com)

[nargesa@nargesa.com](mailto:nargesa@nargesa.com)



---

This information might undergo changes