

N NARGESA®

END HOT WROUGHT IRON MACHINE

NF70



50 years
manufacturing industrial machinery

END HOT WROUGHT IRON MACHINE

The End Hot Forging Machines Nargesa PC16 and NF70 mould, smash, roll up and shape up the extremes of ornamental balusters. They can make all kind of flat ends, pyramidal, striated, plain, coiled...

GET A QUOTE

Please complete the following form. We'll contact you in less than 24 hours.

Business days.

HOW IT WORKS VIDEO

Video on how the machine works.

SOME OF OUR REMARKABLE CUSTOMERS



END HOT WROUGHT IRON MACHINE

The Wrought iron Machine Nargesa NF70 smashes and molds irons up to obtaining the desired shape depending on the mold design. It forges arrow ends or lances of different kinds: flat, pyramidal, etc. It also makes baluster extremes to accomplish nice ornamental parts by changing the die. It forges and smashes balusters in the middle to make different designs.



Easy handling

Any worker is able to carry out this job, even without any previous preparation.



Readiness

Thousands of parts can be made in a sole working day.



Value and prestige

There are few craftsmen who can make this kind of wrought jobs.



Sales

Possibility of selling parts with the forged extremes to different companies or steel stores.

TECHNICAL FEATURES

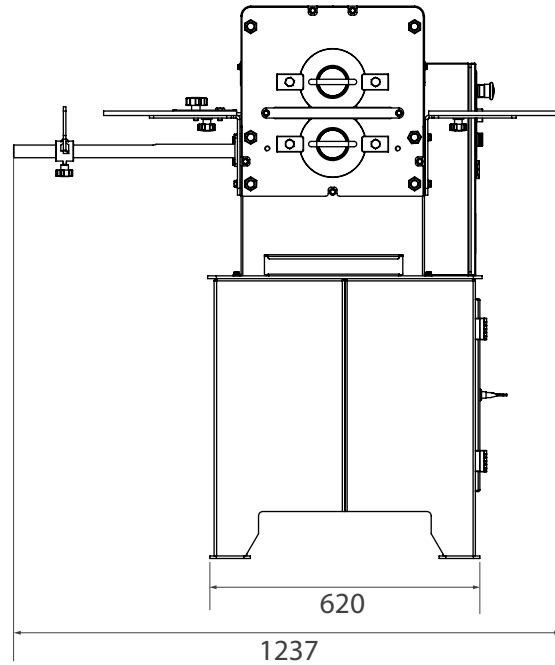
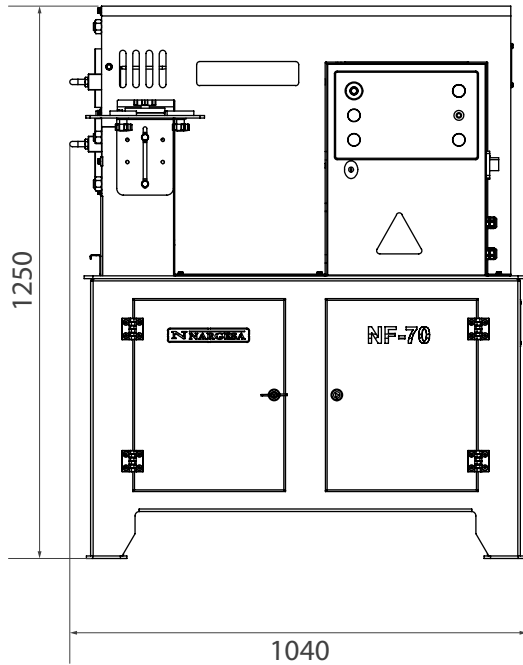
The end hot wrought iron machine Nargesa NF70, shapes up the arrow ends, flat ends, striated ends, etc. In either round, square or different sizes flat bars.

- > Maximum capacity in round: Mild steel round of 20 mm.
- > Maximum capacity in square: Mild steel square of 20 mm.
- > Maximum capacity in flat bar: Mild steel flat bar of 40x10 mm.
- > Digital screen.
- > Turns programmer.
- > Rotation speed: 20 rpm.
- > Adjustable back gauge.
- > With standard accessories wrought ends, flat ends, striated and pyramidal ends can be made.
- > If the customer asks for it, we make molds under request.
- > Engine power: 5,5 KW/ 7 CV (HP).
- > Three phased tension: 230/400 V.

** All or products are manufactured in our facilities in Spain. The hydraulic and electrical components are all standard from the best leading European trademarks, with technical assistance all over the world: Rexroth, Bosch, Roquet, Schneider Electric, LG, Telemecanique, Pizzato etc...*



OUTSIDE DIMENSIONS



PACKAGING CHARACTERISTICS

- Tariff Code: 84622991
- Palletized bench to move it easily to its working site or storage.
- The machine is sent completely assembled.
- Packaging with wooden pallet NIMF15 and 3-layered cardboard box suitable for sea freight.
- Optional: Complete wooden packaging NIMF15.

NF70

Width	1120 mm
Depth	1120 mm
Height	1500 mm
Volume	1,88 m ³
Net Weight	493 Kg.
Gross Weight	540 Kg.

STANDARD ACCESSORIES DELIVERED WITH THE MACHINE

Set of flat rollers



REF: 140-12-02-00001

> Set of flat rollers to make flat and pyramidal extremes.

Standard tooling.



Maximum capacity	Maximum capacity	Units per set	Weight
Round and square 20mm	Rectangular 50x10mm	2 units	4,2 Kg/unit

Set of striated rollers



REF: 140-12-02-00002

> Set of striated rollers to get fishtail shaped ends.

Standard tooling.



Maximum capacity	Maximum capacity	Units per set	Weight
Round and square 20mm	Rectangular 50x10mm	2 units	4,1 Kg/unit

OPTIONAL ACCESSORIES

Set of trilobular rollers



REF: 140-12-02-00003

> Set of trilobular rollers to emboss decoration in the middle of a baluster.

Optional tooling.



Maximum capacity	Maximum capacity	Units per set	Weight
Round and square 20mm	Rectangular 50x10mm	2 units	4,2 Kg/unit

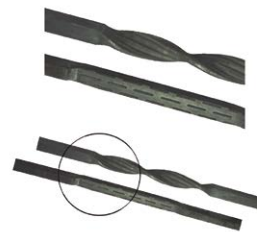
Set of triple middle marking rollers



REF: 140-12-02-00004

> Set of eccentric rollers to emboss the middle of balusters. Triple design, flat, striped and discontinuous in the same roller.

Optional tooling.



Maximum capacity	Maximum capacity	Units per set	Weight
Round and square 20mm	Rectangular 50x10mm	2 units	8,5 Kg/unit

Set of fishtail rollers



REF: 140-12-02-00005

> Two-grooved roller, one for big diameters and the other one for smaller diameters.

Optional tooling.



Maximum capacity	Maximum capacity	Units per set	Weight
Round and square 20mm	Rectangular 50x10mm	2 units	7,7 Kg/unit

Set of special rollers



> We design and manufacture all kind of special rollers under request.

OUR RANGE OF MACHINERY



IRON WORKERS



SECTION BENDING
MACHINES



NON-MANDREL PIPE
BENDER



HORIZONTAL PRESS
BRAKES



TWISTING/SCROLL
BENDING MACHINES



HYDRAULIC PRESS
BRAKES



HYDRAULIC SHEAR
MACHINES



GAS FORGES



IRON EMBOSSING
MACHINES



END WROUGHT IRON
MACHINES



BROACHING MACHINES



POWER HAMMERS



PRESSES FOR LOCKS

WARRANTY

Nargesa machines have 3 years warranty provided that the customer registers it in our website. Otherwise it would be only one year warranty. This one encloses any manufacturing default all along these 3 years for components. Any misuse is excluded from this condition. Labor, back and forth shipping and any eventual repair, are not included in this warranty.

Partner companies



Airpharm

SHIPMENT EVERYWHERE

Nargesa will arrange transport up to final destination, whenever the customers asks for so. There is also the possibility for the customer to arrange the shipment himself with his own agency.

TECHNICAL ASSISTANCE

All our customers have access to technical support quickly and efficiently.

90% of incidences are solved out on the phone, mail, Skype or video-conferencing in less than 24hours. In case of needing presencial technical assistance, we may as well send a technician to the customer's facilities.

Follow us on

PRADA NARGESA, S.L.

Ctra. De Garrigàs a Sant Miquel s/n
17476 Palau de Santa Eulalia (Girona) Spain
Tel. +34 972 568 085

www.nargesa.com

nargesa@nargesa.com



This information might undergo changes