

**N NARGESA®**

## SECTION BENDING MACHINES

# MC200H



**50** years  
manufacturing industrial machinery

# SECTION BENDING MACHINES

The pipe and section bending machines Nargesa with two or three traction rollers, either hydraulic or mechanic system are ideal for making all kinds of bends, curves, shapes on different pipes and profiles no matter the material to be use, aluminium, stainless steel, mild steel, copper, galvanized pipe...

## GET A QUOTE

Please complete the following form. We'll contact you in less than 24 hours.  
*Business days.*

## HOW IT WORKS VIDEO

Video on how the machine works.



## SOME OF OUR REMARKABLE CUSTOMERS



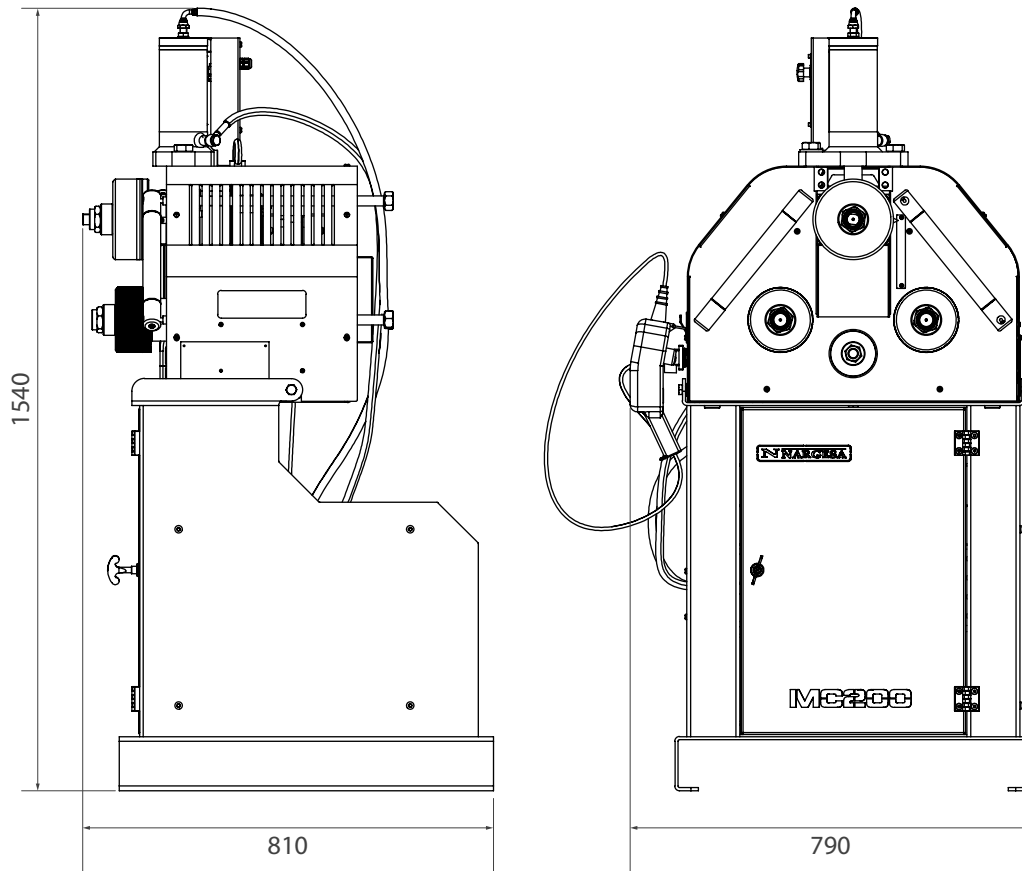
# TECHNICAL FEATURES

Hydraulic Section Bending Machine MC200H NARGESA fabricated in steel, two traction rollers, pinion transmissions, treated and rectified axis. Maximum capacity for bending round pipe: 2" 1/2 inches or 70 mm.

- > Diameter of axes: 40 mm.
- > Useful axes length: 74 mm.
- > Center distance between lower axes: 286 mm.
- > Maximum capacity for bending round pipe: 2" 1/2 inch or 70 mm.
- > Bending regulation by means of the upper axis which permits to make bending operations in big pipes and profiles diameters without any distortion.
- > It's equipped with 9 standard rollers and washers by means of which you can make all kinds of profiles.
- > Millimeter scale in the upper axis to regulate bending.
- > Vertical and Horizontal working position in the same table.
- > Side corrector rollers to rule the bending operation and make spiral bending.
- > Motor Power: 1,85 KW / 2,5 HP.
- > Voltage supply: 3 phased 230/400 V.
- > For single phased machines, request quotation.
- > Rollers speed: 8 RPM.

*\* All our products are manufactured in our facilities in Spain. The hydraulic and electrical components are all standard from the best leading European trademarks, with technical assistance all over the world: Rexroth, Bosch, Roquet, Schneider Electric, LG, Telemecanique, Pizzato etc...*

## OUTSIDE DIMENSIONS



## PACKAGING CHARACTERISTICS

- Tariff Item Code: 84622990
- Lower bench palletized to easily transport the machine to the workplace or store it in case of lacking space.
- The machine is shipped fully assembled.
- Pallet made of steel and 3 layer cardboard box suitable for seafreight.
- Optional: Fumigated wooden box NIMF15.

### MC200H

Width	700 mm
Depth	830 mm
Height	1530 mm.
Volume	0,90 m <sup>3</sup>
Net Weight	360 Kg.
Gross Weight	375 Kg.

# BENDING CAPACITY

The dimensions shown in the following table are provided for guidance only; they are directly related to the hardness and quality of the pipe or profile.



	MC150B		MC200		MC400		MC200H	
Profile	Dim.	Min. radius	Dim.	Min. radius	Dim.	Min. radius	Dim.	Min. radius
	50x10	300	50x10	300	50x10	250	60x10	200
	60x20	200	80x20	150	80x20	150	80x20	150
	25x25	200	30x30	200	30x30	150	30x30	150
	50x50x3 40x40x3	700 350	50x50x3 40x40x3	600 300	50x50x3 40x40x3	600 300	50x50x3 40x40x3	450 300
	40	200	40	200	40	150	40	200
	40	250	40	250	40	200	40	250
	40	300	40	300	40	250	40	250
	50	200	60	300	60	225	60	225
	50	250	60	300	60	225	60	225
	40	500	40	420	40	200	40	300
	25	180	30	150	30	150	30	150
	50,8x3* =2"x3* 40x2*	600 600 300	63,5x3* =2" 1/2x3* 40x2*	500 500 250	63,5x3* =2" 1/2x3* 40x2*	450 450 200	63,5x3* =2" 1/2x3* 40x2*	450 450 200

\* Optional rollers



MC550 · MC550NC · MC550CNC			MC650 · MC650NC · MC650CNC	
Profile	Dimensions	Min. radius	Dimensions	Min. radius
	60x15	400	100x15 80x20 60x15 50x15 20x10	1250 450 300 155 140
	60x8	200		
	50x15	350		
	50x10	175		
	40x8	150		
	30x5	110		
	25x5	105		
	100x20	250	120x20 100x25 80x20	250 350 200
	80x20	200		
	80x15	180		
	35x35	400	45x45 40x40 25x25 20x20 15x15	300 280 200 150
	30x30	200		
	25x25	175		
	20x20	150		
	15x15	150		
	60x60x3	800	70x70x4 60x60x3 40x40x3	750 750 300
	50x50x3	600		
	35x35x3	200		
	70x30x3	500	80x40x3 60x30x3 50x30x3	500 300 250
	60x30x3	400		
	50x30x3	250		
	60x60x7	300	80* 70 60 40	500 400 200 150
	50x50x6	250		
	40x40x5	200		
	60x60x7	500	80* 60 40	500 400 150
	50x50x6	400		
	40x40x5	300		
	60x60x7	350	60x8 40x6	450 250
	50x50x6	300		
	40x40x5	250		
	40x20x5	160	120* 100* 80	600 600 350
	60x30x6	200		
	80x45x6	400		
	80x45x6	600	120* 100* 80	700 700 400
	60x30x6	250		
	40x20x5	200		
	50x5	550	70x7 60x5 50x5 40x4	600 400 300 250
	40x5	400		
	50x5*	750	50x5* 40x4*	750 500
	40x4*	500		
	40	300	50 40 25	300 200 175
	35	250		
	30	200		
	20	130		
	76,2x3* (3"x3)	500	101,6x3,5* (=4"x3) 100x3* 88,9x4* (=3"SCH) 35x2* 20x1,5*	500 500 700 120 115
	40x2	180		
	20x2	100		

\* Optional rollers

# STANDARD ACCESSORIES DELIVERED WITH THE MACHINE

## Standard rollers MC200H

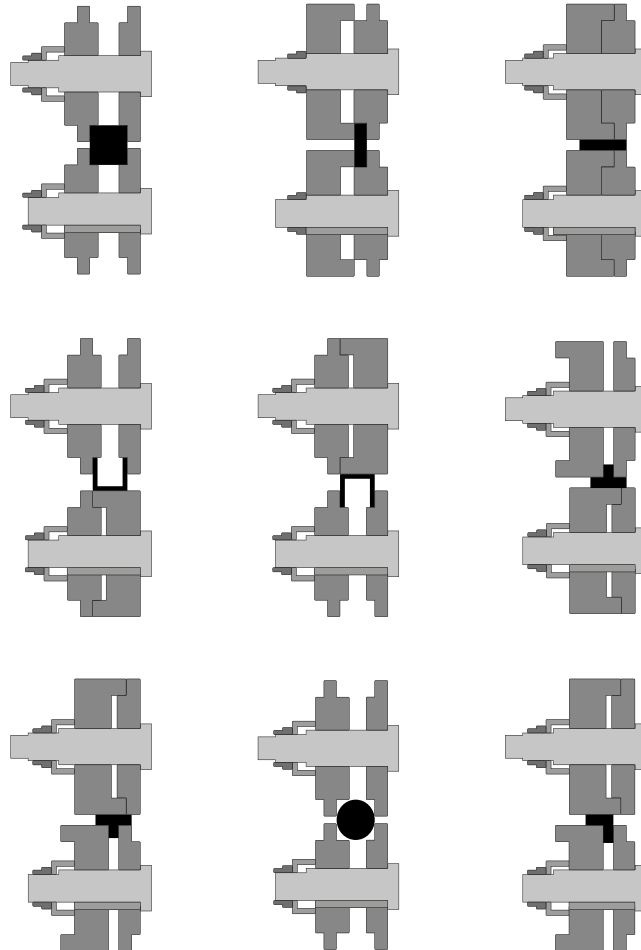


It's equipped with 9 standard pieces, by means of which the user can work all kinds of profiles. Square, rectangular pipe, solid round and square bars. U Profile, T profile, angle, flat bar, edged flat bar... Adjustable rollers, by washers with the size of profile or pipe which allows us to make bending to different pipe or profile sizes.



*Steel rollers F1140 treated and rectified.*

Assembling of the rollers



# OPTIONAL ACCESSORIES

## High precision digital radius gauge



**REF:** 140-MED08-00001

The **High precision digital radius gauge** allows the user to have a direct and immediate reading of inner and outer radius in a range from 55 to 11.250 millimeters or from 2" to 443" inches.

The High precision digital radius gauge measures radii in spherical objects such as tubes, profiles and pipes in a quick and accurate way. It is really fast and easy to use! It indicates the inner or outer radius of the part we are bending *without removing it from the machine and without needing to previously draw and cut a guide template.*

This Digital arc meter allows the direct and immediate reading of the values of the inner or outer radius in a wide range of bends.

- > **Comfort:** No need to prepare and cut a template to know the radius of a bend, it is not necessary to remove the part from the machine to measure it either. The digital radius gauge makes the job quicker and easier.
- > **Easy to use:** Its use is simple and the measurement process is very fast. We only have to place the digital radius gauge on the internal or external part of the curve and it will automatically show the value.
- > **Multi-material:** This tool is suitable for any kind of solid and consistent materials like steel, wood or plastic shapes.
- > **High precision:** Its error tolerance over the radius is 0,01 mm. Precision will depend on the surface quality of the material to measure.
- > **Application scope:** This digital radius gauge is supplied with three different high precision arc meters. The use of either one or other arch meter offers a measurement range swinging from 55 to 11.250 millimeters and from 2" to 443" inches.
- > **LCD digital screen:** Comfortable reading of all data and low power consumption.
- > **Practical:** It is small and light, we can easily use it for different measurements. It is comfortable, reliable and long lasting.
- > **Storage:** We deliver it inside a stainless briefcase, with an inner foam protection to keep it safe and protect the arc meter when it is not in use. It is comfortable to carry and shock-resistant.
- > **Two units of measure:** We can select either millimeters or inches just by pressing a button.
- > **Perfect for wide radii:** Unlike other manufacturers, the High Precision Arc Meter Nargesa can measure radii up to 12m with maximum precision. For bigger radii, please consult the manufacturer.
- > **Ideal for smaller radii:** The great touch sensor length allows its use even when the inner radius to measure is very tiny.

### TECHNICAL SPECIFICATIONS

- > Measurement scope: From 55 to 11.250 millimeters or from 2" to 443" Inches.
- > Error tolerance over the touch sensor:  $\Delta L = 0.02\text{mm}$
- > Error tolerance over the radius:  $\Delta R = (0.01 * R)\text{mm}$
- > Power supply: 3V CR2032 Lithium battery
- > Working temperature:  $0 \pm 40^\circ\text{C}$
- > Storage and transport temperature:  $-20^\circ\text{C} - 60^\circ\text{C}$
- > Relative humidity: =80%



## Arc meters supplied with the High precision digital radius gauge

---

### 100 Measurement arc

---



The 100mm High precision arc meter is supplied along with the High precision digital radius indicator.

This tool is attached to the arc meter to measure internal or external radii, amongst the following ranges:

**Minimum radius:** 55mm or 2"

**Maximum radius:** 625mm or 25"

### 200 Measurement arc

---



The 200mm High precision arc meter is supplied along with the High precision digital radius indicator.

This tool is attached to the arc meter to measure internal or external radii, amongst the following ranges:

**Minimum radius:** 125mm or 5"

**Maximum radius:** 2.500mm or 99"

### 300 Measurement arc

---



The 300mm High precision arc meter is supplied along with the High precision digital radius indicator.

This tool is attached to the arc meter to measure internal or external radii, amongst the following ranges:

**Minimum radius:** 475mm or 18"

**Maximum radius:** 11.250mm or 443"

## Treated steel rollers · MC150B · MC200 · MC200H · MC400



Rollers made of Steel F-1140 and treated to 62 Rc. Suitable for bending all kind of round steel or stainless steel pipes.

*Always clean up the rollers well before using stainless steel not to get the pipe contaminated.  
When the tube measurements are small, two measurements are added on the same roller.*



Tube size in mm		
Reference	Dimensions	Weight
140-08-01-RHT0007	(25 + 30)	17,00 Kg.
140-08-01-RHT0006	(20 + 35)	16,50 Kg.
140-08-01-RHT0001	40	16,60 Kg.
140-08-01-RHT0002	50	14,25 Kg.
140-08-01-RHT0003	60	11,10 Kg.
For Schedule pipe		
140-08-01-RHISOT0006	$(3/4" + 1/2") = (26,9 + 21,3 \text{ mm})$	17,70 Kg.
140-08-01-RHISOT0007	$(1" + 3/8") = (33,7 + 17,2 \text{ mm})$	17,00 Kg.
140-08-01-RHISOT0002	$1" 1/4 = 42,4 \text{ mm}$	16,00 Kg.
140-08-01-RHISOT0003	$1" 1/2 = 48,3 \text{ mm}$	14,40 Kg.
140-08-01-RHISOT0004	$2" = 60,3 \text{ mm}$	11,15 Kg.
For inches pipe		
140-08-01-RHWT-00001	$(1/2" + 1" 1/4) = (12,700 + 31,751 \text{ mm})$	18,00 Kg.
140-08-01-RHWT-00002	$(1" + 3/4") = (25,401 + 19,051 \text{ mm})$	18,50 Kg.
140-08-01-RHWT-00003	$1" 1/2 = 38,101 \text{ mm}$	17,25 Kg.
140-08-01-RHWT-00004	$2" = 50,802 \text{ mm}$	13,60 Kg.
140-08-01-RHWT-00005	$2" 1/2 = 63,502 \text{ mm}$	9,75 Kg.

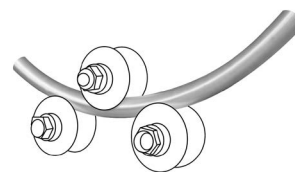
## Sustarin Rollers · MC150B · MC200 · MC200H · MC400



Rollers made of Sustarin to bend round stainless steel pipes, aluminium and delicate materials with thickness not bigger than 2.5mm.

*Sustarin rollers do not damage nor get the pipe contaminated.*

*When the tube measurements are small, two measurements are added on the same roller.*



Tube size in mm		
Reference	Dimensions	Weight
140-08-01-RI0007	(25 + 30)	1,40 Kg.
140-08-01-RI0001	(20 + 35)	1,40 Kg.
140-08-01-RI0010	33	1,50 Kg.
140-08-01-RI0004	40	1,40 Kg.
140-08-01-RI0003	43	1,30 Kg.
140-08-01-RI0006	50	1,20 KG.
140-08-01-RI0008	60	0,90 KG.
For inches pipe		
140-08-01-RIW-00001	$(1/2''+1''1/4) = (12,700 + 31,751 \text{ mm})$	1,80 Kg.
140-08-01-RIW-00002	$(1''+3/4'') = (25,401 + 19,051 \text{ mm})$	1,50 Kg.
140-08-01-RIW-00003	$1''1/2 = 38,101 \text{ mm}$	1,40 Kg.
140-08-01-RIW-00004	$2'' = 50,802 \text{ mm}$	1,20 Kg.
140-08-01-RIW-00005	$2''1/2 = 63,502 \text{ mm}$	0,90 Kg.

## OUR RANGE OF BENDING MACHINES



### MC150B

- > Two drive rollers.
- > Diameter of axes: 40 mm.
- > Useful axes length: 74 mm.
- > Center distance between lower axes: 230 mm.
- > Maximum capacity for bending round pipe: 2" inches or 50 mm.



### MC200

- > Diameter of axes: 40 mm.
- > Useful axes length: 74 mm.
- > Center distance between lower axes: 286 mm.
- > Maximum capacity for bending round pipe: 2" 1/2 inches or 63.5 mm.



### MC400

- > Three drive rollers.
- > Diameter of axes: 40 mm.
- > Useful axes length: 80 mm.
- > Maximum capacity for bending round pipe: 2" 1/2 inches or 63.5 mm.
- > Independent bending regulation of the lower rollers.



### MC200H

- > Two drive rollers.
- > Diameter of axes: 40 mm.
- > Useful axes length: 74 mm.
- > Center distance between lower axes: 286 mm
- > Maximum capacity for bending round pipe: 2" 1/2 inches or 70 mm.



### MC550

- > Three drive rollers.
- > Diameter of axes: 50 mm.
- > Useful axes length: 90 mm.
- > Max. capacity for bending round pipe: 3" inches (76,2 mm) or 80mm
- > Independent bending regulation of the lower rollers.



### MC650

- > Three drive rollers.
- > Diameter of axes: Lower 65 mm / Upper 80 mm.
- > Useful axes length: 130 mm.
- > Maximum capacity for bending round pipe: 4" inches or 101,6 mm.
- > Independent bending regulation of the lower rollers.

# OUR RANGE OF MACHINERY



IRON WORKERS



SECTION BENDING  
MACHINES



NON-MANDREL PIPE  
BENDER



HORIZONTAL PRESS  
BRAKES



TWISTING/SCROLL  
BENDING MACHINES



HYDRAULIC PRESS  
BRAKES



HYDRAULIC SHEAR  
MACHINES



GAS FORGES



IRON EMBOSSING  
MACHINES



END WROUGHT IRON  
MACHINES



BROACHING MACHINES



POWER HAMMERS



PRESSES FOR LOCKS

## WARRANTY

Nargesa machines have 3 years warranty provided that the customer registers it in our website. Otherwise it would be only one year warranty. This one encloses any manufacturing default all along these 3 years for components. Any misuse is excluded from this condition. Labor, back and forth shipping and any eventual repair, are not included in this warranty.

Partner companies



Airpharm

## SHIPMENT EVERYWHERE

Nargesa will arrange transport up to final destination, whenever the customers asks for so. There is also the possibility for the customer to arrange the shipment himself with his own agency.

## TECHNICAL ASSISTANCE

All our customers have access to technical support quickly and efficiently. 90% of incidences are solved out on the phone, mail, Skype or videoconferencing in less than 24hours. In case of needing presencial technical assistance, we may as well send a technician to the customer's facilities.

Follow us on

---

### PRADA NARGESA, S.L.

Ctra. De Garrigàs a Sant Miquel s/n  
17476 Palau de Santa Eulalia (Girona) Spain  
Tel. +34 972 568 085

[www.nargesa.com](http://www.nargesa.com)

[nargesa@nargesa.com](mailto:nargesa@nargesa.com)



---

This information might undergo changes